

34047.000 Graphit m
 LED 12W 1260lm 3000K warm white
 Switchable
 Version 9
 Spherolit lens, wallwash

Product description
 Housing, hinge and mounting plate: corrosion-resistant cast aluminium, No-Rinse surface treatment. Double powder-coated. Optimised surface for reduced accumulation of dirt. Hinge with scale and internal wiring.
 Housing 130° tiltable, rotatable through 360°.
 Control gear. 2 cable entries. Through-wiring possible. 3-pole terminal block.
 LED module: high-power LEDs on metal-core PCB. Collimating lens made of optical polymer.
 Compact light head with non-reflecting safety glass. Corrosion-resistant cast aluminium, double powder-coated.
 Protection mode IP65: dust-proof and water jet-proof.
 Weight 2.30kg
 Maximum wind load area 0.026m²
 Version with 3000K CRI 97 or 2700K, 3500K, 4000K CRI 92 available on request.

Technical data	
Luminous flux of the luminaire	890lm
Connected load	15.0W
Luminaire efficacy	59lm/W
Colour deviation	1.5 SDCM
Colour rendition index	CRI 92
Lumen maintenance (LED manufacturer specifications)	L90/B10 ≤50000h L90 ≤100000h
LED failure rate	0.1% ≤50000h
Dimming range	--
Dimming method	--
LMF	E
Energy efficiency class	EEI A+
Standby power per control gear	--
Luminaires per circuit breaker B16	30

For your regional contact in the ERCO
 Sales network click here
www.erco.com/contact

Technical Region: 220-240V 50/60Hz
 We reserve the right to make technical and design changes.
 Edition: 21.12.2020
 Current version under
www.erco.com/34047.000

Planning data

Illuminance E_n (lx)

Specifications:

Number of luminaires $n > 5$

Wall height (m) 4.0

Angle of tilt 35°

LED 12W 1260lm 3000K warm white

Offset from wall (m)	1.25		1.50		1.75	
	below the luminaire		between the luminaires		between the luminaires	
Luminaire spacing (m)	1.25	1.50	1.50	1.75	1.75	1.75
0.500	114	84	69	51	45	34
0.750	175	129	107	78	69	51
1.000	211	161	135	100	91	67
1.250	220	183	150	117	105	79
1.500	213	190	153	128	112	89
1.750	205	186	148	132	112	95
2.000	191	176	143	130	109	97
2.250	176	163	137	125	106	96
2.500	158	149	128	119	103	93
2.750	138	132	119	111	97	89
3.000	119	116	108	102	91	85
3.250	101	99	97	92	86	80
3.500	86	85	85	83	79	74

Cleaning (a)	1				2				3			
	P	C	N	D	P	C	N	D	P	C	N	D
Ambient conditions	0.96	0.94	0.90	0.86	0.93	0.91	0.86	0.81	0.92	0.90	0.84	0.79
LMF	0.96	0.94	0.90	0.86	0.93	0.91	0.86	0.81	0.92	0.90	0.84	0.79
RSMF	0.99	0.97	0.95	0.92	0.98	0.97	0.95	0.92	0.98	0.97	0.95	0.92

Hours of operation (h)	1000	5000	10000	20000	30000	40000	50000
LLMF	1.00	0.99	0.98	0.96	0.94	0.92	0.90
LSF	1	1	1	1	1	1	1

- MF LMFxRSMFxLLMFxLSF
- MF Maintenance Factor
- LMF Luminaire Maintenance Factor
- RSMF Room Surface Maintenance Factor
- LLMF Lamp Lumens Maintenance Factor
- LSF Lamp Survival Factor
- P Room pure
- C Room clean
- N Room normal
- D Room dirty

Technical data in accordance with international norms and standards

- IEC 60598 Luminaires – Part 1+2: general requirements, specific requirements and tests
- IEC 62031 LED modules for general lighting – safety requirements
- IEC 62471 Photobiological safety of lamps and lamp systems
- EN 13032-4 Light and lighting – measurement and representation of photometric data
- CIE 13 Method of measuring and specifying colour rendering properties of light sources

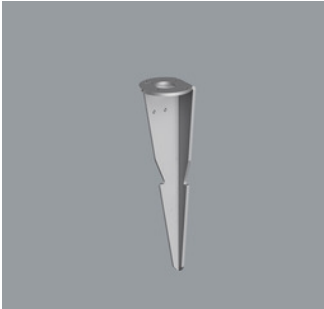
All technical data is subject to industrially standard tolerances.

Also see www.erco.com/erco-led

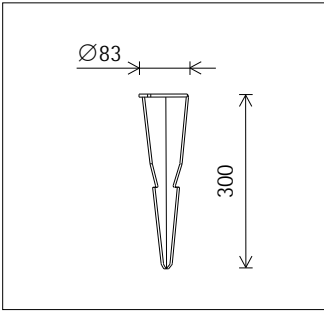
Accessories



34974.000
 Distribution box, IP68
 With four cable entries, 7-25mm.
 Polymer.
 ø 102mm, L 305mm.
 Weight 0.47kg
CE IP 68 3m



33973.000
 Ground spike
 Metal, hot-dip galvanised.
 Cable entry.
 Weight 0.48kg



34990.000
 Spacer
 for surface-mounted cables.
 Corrosion-resistant cast aluminium,
 No-Rinse surface treatment. Graphit m,
 double powder-coated.
 Weight 0.16kg

