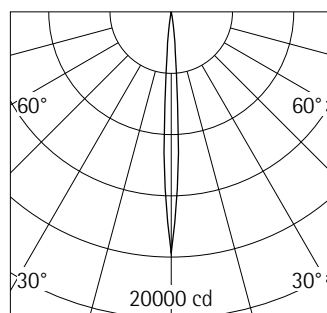


71162.000 White (RAL9002)
 LED 4W 420lm 3000K warm white
 DALI-2
 Version 5
 Spherulit lens, narrow spot

Product description
 Cylindrical light head: cast aluminium, powder-coated. 270° tilt.
 Housing: polymer, rotatable on DALI adapter through 360°.
 ERCO DALI control gear.
 DALI adapter for ERCO DALI 220-240V track: polymer, white.
 LED module: high-power LEDs on metal-core PCB. Collimating lens made of optical polymer.
 Protection Class II
 Weight 0.74kg



h(m)	E(lx)	D(m)
		7°
1	15734	0.12
2	3933	0.24
3	1748	0.37
4	983	0.49
5	629	0.61

Technical data

Luminous flux of the luminaire	372lm
Connected load	6.5W
Luminaire efficacy	57lm/W
Colour deviation	1.5 SDCM
Colour rendition index	CRI 92
Lumen maintenance (LED manufacturer specifications)	L90/B10 ≤50000h L90 ≤100000h
LED failure rate	0.1% ≤50000h
Dimming range	0.1%-100%
Dimming method	CCR
LMF	E
Energy efficiency class	EEI A+
Standby power per control gear	0.4W
Luminaires per circuit breaker B16	260



Mounting

ERCO DALI track
 Hi-trac DALI track
 DALI singlet

For your regional contact in the ERCO
 Sales network click here
www.erco.com/contact

Technical Region: 220-240V 50/60Hz
 We reserve the right to make technical
 and design changes.
 Edition: 21.12.2020
 Current version under
www.erco.com/71162.000

Planning data

Cleaning (a)	1				2				3			
	P	C	N	D	P	C	N	D	P	C	N	D
LMF	0.96	0.94	0.90	0.86	0.93	0.91	0.86	0.81	0.92	0.90	0.84	0.79
RSMF	0.99	0.97	0.95	0.92	0.98	0.97	0.95	0.92	0.98	0.97	0.95	0.92

Hours of operation (h)	1000	5000	10000	20000	30000	40000	50000
LLMF	1.00	0.99	0.98	0.96	0.94	0.92	0.90
LSF	1	1	1	1	1	1	1

- MF LMFxRSMFxLLMFxLSF
- MF Maintenance Factor
- LMF Luminaire Maintenance Factor
- RSMF Room Surface Maintenance Factor
- LLMF Lamp Lumens Maintenance Factor
- LSF Lamp Survival Factor
- P Room pure
- C Room clean
- N Room normal
- D Room dirty

Technical data in accordance with international norms and standards

- IEC 60598 Luminaires – Part 1+2: general requirements, specific requirements and tests
- IEC 62031 LED modules for general lighting – safety requirements
- IEC 62471 Photobiological safety of lamps and lamp systems
- EN 13032-4 Light and lighting – measurement and representation of photometric data
- CIE 13 Method of measuring and specifying colour rendering properties of light sources

All technical data is subject to industrially standard tolerances.
Also see www.erco.com/erco-led

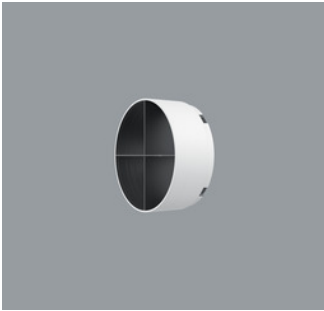
Accessories



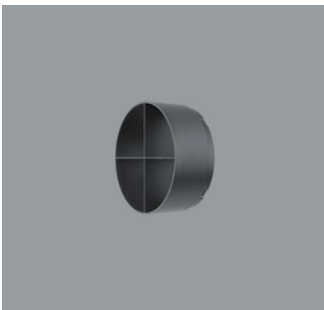
70708.000
Snoot
Polymer.
White



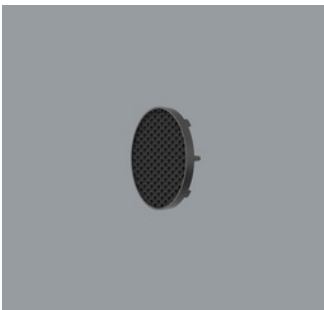
70633.000
Snoot
Polymer.
Black



78036.000
Cross-baffle
Aluminium, coated black, polymer
outer.
White



78040.000
Cross-baffle
Aluminium, coated black, polymer
outer.
Black



79854.000
Honeycomb anti-glare screen
Black