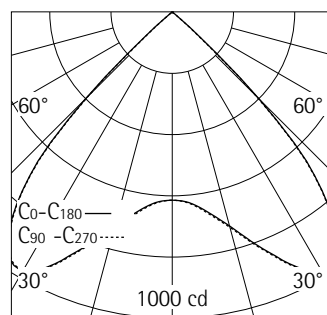


32022.000
LED 24W 2520lm 3000K warm white
Switchable
Version 2
Size 5
Covered mounting detail
Diffuser lens extra wide flood

Product description
Housing: cast aluminium, designed as heat sink, with connection cable L 500mm. Fixing frame: polymer, black. Mounting frame: polymer, white (RAL9002). Mounting for ceiling thicknesses of 1-30mm. Includes control gear. 2-pole terminal block.
LED module: high-power LEDs on metal-core PCB. Diffuser lens made of optical polymer.
Darklight reflector: aluminium, anodised, satin matt. Cut-off angle 40°.
The luminaire is protected on the room side against splashing water.
Protection Class II
Weight 1.30kg



Beam angle
C₀ 88°

Technical data

Luminous flux of the luminaire	1885lm
Connected load	27.0W
Luminaire efficacy	70lm/W
Colour deviation	1.5 SDCM
Colour rendition index	CRI 92
Lumen maintenance (LED manufacturer specifications)	L90/B10 ≤50000h L90 ≤100000h
LED failure rate	0.1% ≤50000h
Dimming range	--
Dimming method	--
LMF	D
Energy efficiency class	EEI A+
Standby power per control gear	--
Luminaires per circuit breaker B16	30

For your regional contact in the ERCO
Sales network click here
www.erco.com/contact

Technical Region:
220V-240V/50Hz-60Hz
We reserve the right to make technical and design changes.
Edition: 30.01.2020
Current version under
www.erco.com/32022.000

Planning data

32022.000 LED 24W 2520lm 3000K warm white
 Connected load P: 27 W
 Connected load per 100lx P*: 1.4 W/m²
 Number of luminaires per 100lx n*: 5.1 1/100m²

32022.000 LED 24W 2520lm 3000K warm white
 Number of luminaires per 100m² for
 100lx 200lx 300lx 500lx
 6 11 16 26

32022.000 LED 24W 2520lm 3000K warm white
 Module (m) 1.2x1.8 1.8x1.8 1.8x2.4 2.4x2.4
 Illuminance E_n (lx) for module (m) 906 604 453 340

Correction table

Ceiling	0.70	0.70	0.70	0.50	0
Wall	0.70	0.50	0.20	0.20	0
Floor	0.50	0.20	0.20	0.10	0

k	0.6	79	48	54	47	41
k	1.0	97	71	74	67	60
k	1.5	108	87	88	81	74
k	2.5	116	100	98	90	83
k	3.0	118	105	101	93	87

Cleaning (a)	1				2				3			
	P	C	N	D	P	C	N	D	P	C	N	D
Ambient conditions												
LMF	0.94	0.88	0.82	0.77	0.91	0.83	0.77	0.71	0.89	0.79	0.73	0.65
RSMF	0.97	0.95	0.91	0.86	0.97	0.94	0.90	0.86	0.97	0.94	0.90	0.86

Hours of operation (h)	1000	5000	10000	20000	30000	40000	50000
LLMF	1.00	0.99	0.98	0.96	0.94	0.92	0.90
LSF	1	1	1	1	1	1	1

MF LMFxRSMFxLLMFxLSF
 MF Maintenance Factor
 LMF Luminaire Maintenance Factor
 RSMF Room Surface Maintenance Factor
 LLMF Lamp Lumens Maintenance Factor
 LSF Lamp Survival Factor
 P Room pure
 C Room clean
 N Room normal
 D Room dirty

Technical data in accordance with international norms and standards

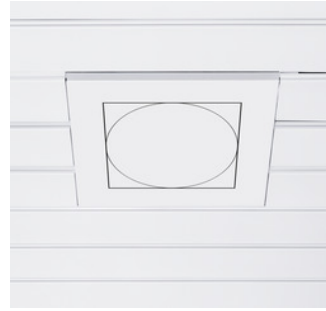
IEC 60598 Luminaires – Part 1+2: general requirements, specific requirements and tests
 IEC 62031 LED modules for general lighting – safety requirements
 IEC 62471 Photobiological safety of lamps and lamp systems
 EN13032-4 Light and lighting – measurement and representation of photometric data
 CIE 13 Method of measuring and specifying colour rendering properties of light sources

All technical data is subject to industrially standard tolerances.
 Also see www.erco.com/erco-led

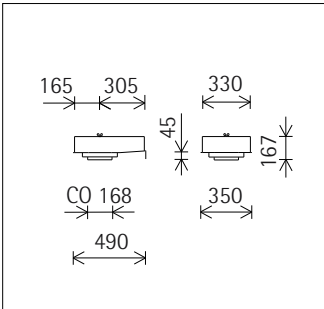
Accessories



83741.000
Concrete housing
Stainless steel, galvanised/powder-coated.
Recommended 0-8mm aggregate for the concrete.
Weight 6.10kg



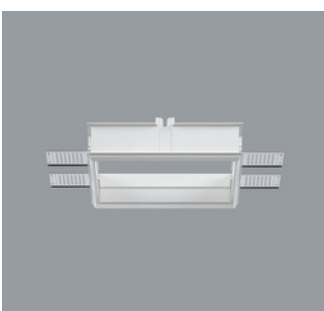
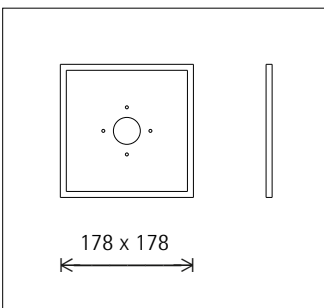
82950.000
Mounting plate for panelled ceilings
Metal, white (RAL9002) powder-coated.
Individual design of mounting plates according to ceiling type and luminaire.
Quote ceiling type and dimensions.



83999.000
Cover frame
Metal, white. For covering the gap where ceiling cut-outs are too big.
Please state internal and external dimensions when ordering.



83619.000
Spacer plate
Aluminium.
For flush-mounting of downlights in concrete housings in exposed concrete ceilings.
Weight 0.14kg



82922.000
Mounting frame
For flush mounting of luminaires with ceiling aperture 168x168mm.
Polymer, white (RAL9002). Mounting for ceiling thicknesses of 12.5-25mm.
The recess depth of the luminaire increases by 2mm.
Weight 0.20kg

