

72212.000 White (RAL9002)
 LED 6W 630lm 3000K warm white
 Switchable
 Version 5

Product description
 Cylindrical light head: cast aluminium, powder-coated. 270° tilt.
 Housing: polymer, rotatable on 3-circuit adapter through 360°.
 ERCO control gear.
 3-phase adapter for ERCO 220-240V track: polymer, white.
 LED module: high-power LEDs on metal-core PCB.
 Contour attachment with framing attachment: polymer, black, rotatable through 360°. Fresnel lens.
 Holder with projection lens, continuously focusable.
 Protection Class II
 Weight 0.62kg

Technical data

Luminous flux of the luminaire	236lm
Connected load	8.0W
Luminaire efficacy	30lm/W
Colour deviation	1.5 SDCM
Colour rendition index	CRI 92
Lumen maintenance (LED manufacturer specifications)	L90/B10 ≤50000h L90 ≤100000h
LED failure rate	0.1% ≤50000h
Dimming range	--
Dimming method	--
LMF	C
Energy efficiency class	EEI A+
Standby power per control gear	--
Luminaires per circuit breaker B16	79



Mounting
 ERCO 3-circuit track
 Hi-trac 3-circuit track
 1-circuit singlet

For your regional contact in the ERCO
 Sales network click here
www.erco.com/contact

Technical Region: 220-240V 50/60Hz
 We reserve the right to make technical and design changes.
 Edition: 19.10.2020
 Current version under
www.erco.com/72212.000

Planning data

Cleaning (a)	1				2				3			
	P	C	N	D	P	C	N	D	P	C	N	D
LMF	0.94	0.89	0.81	0.75	0.91	0.80	0.69	0.59	0.87	0.74	0.61	0.52
RSMF	0.99	0.97	0.95	0.92	0.98	0.97	0.95	0.92	0.98	0.97	0.95	0.92

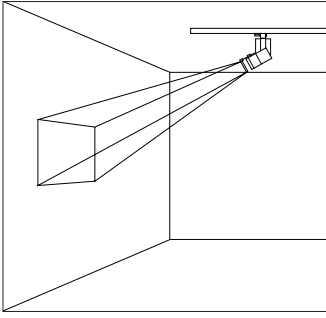
Hours of operation (h)	1000	5000	10000	20000	30000	40000	50000
LLMF	1.00	0.99	0.98	0.96	0.94	0.92	0.90
LSF	1	1	1	1	1	1	1

MF	LMFxRSMFxLLMFxLSF
MF	Maintenance Factor
LMF	Luminaire Maintenance Factor
RSMF	Room Surface Maintenance Factor
LLMF	Lamp Lumens Maintenance Factor
LSF	Lamp Survival Factor
P	Room pure
C	Room clean
N	Room normal
D	Room dirty

Technical data in accordance with international norms and standards

IEC 60598	Luminaires – Part 1+2: general requirements, specific requirements and tests
IEC 62031	LED modules for general lighting – safety requirements
IEC 62471	Photobiological safety of lamps and lamp systems
EN 13032-4	Light and lighting – measurement and representation of photometric data
CIE 13	Method of measuring and specifying colour rendering properties of light sources

All technical data is subject to industrially standard tolerances.
Also see www.erco.com/erco-led



Measured illuminance levels (new values) E (lx) and maximum edge length D (m) of square projection through framing attachment dependent on projection distance h (m)

Warm white 6W 630lm

h (m)	E (lx)	D (m)
1	1728	0.43
2	427	0.85
3	167	1.28
4	90	1.65
5	65	2.10