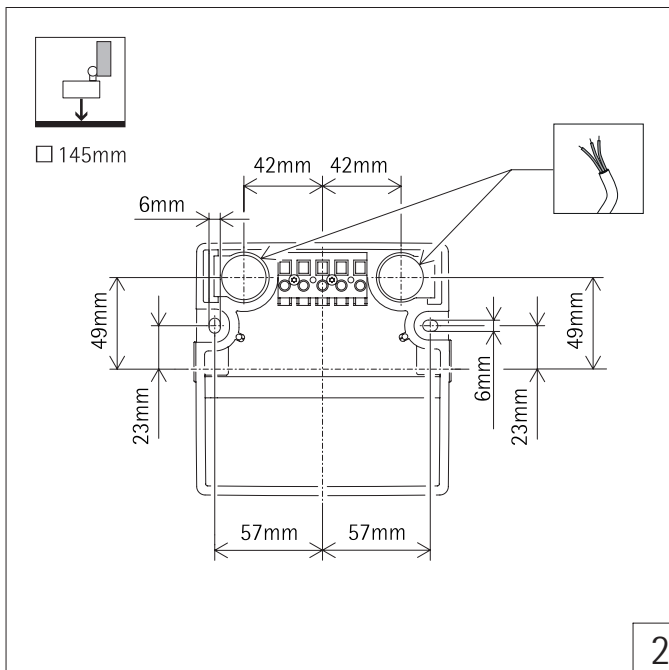
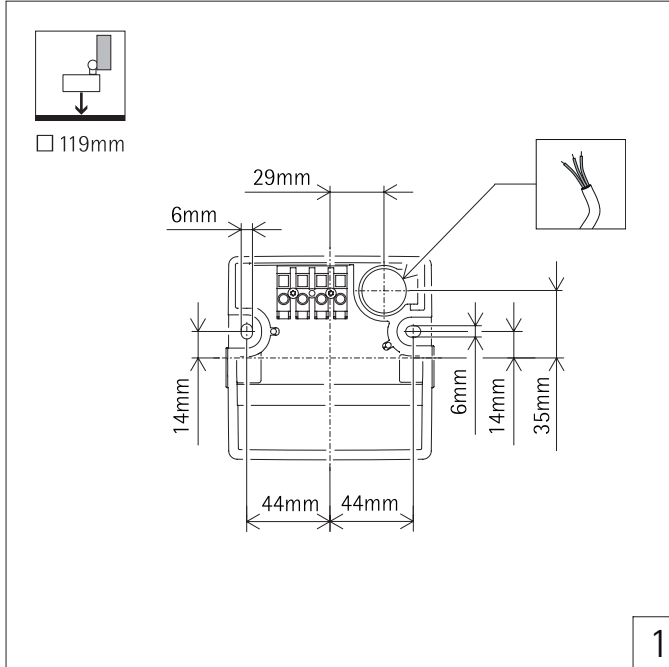


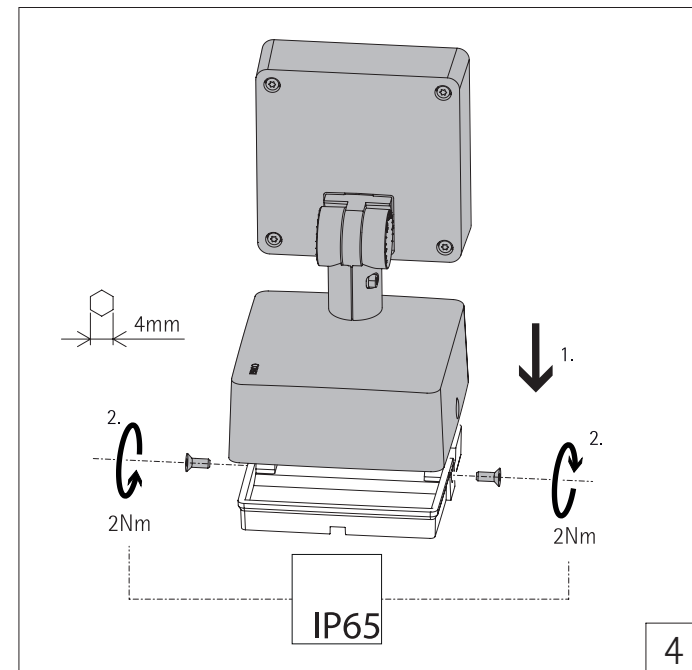
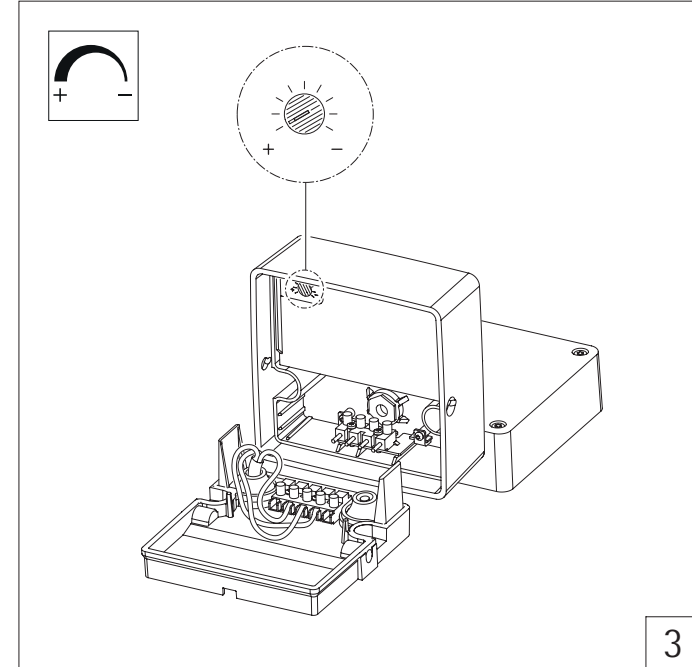
Lightscan

Mounting instructions

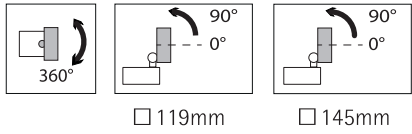
Projector Floodlight Lens wallwasher



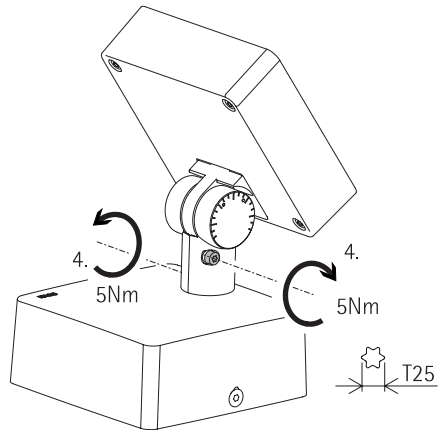
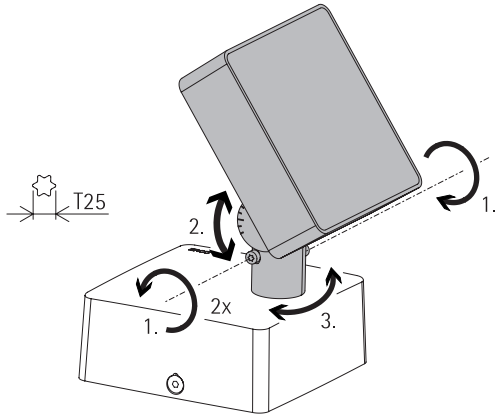
Projector Floodlight Lens wallwasher



Projector
Floodlight
Lens wallwasher

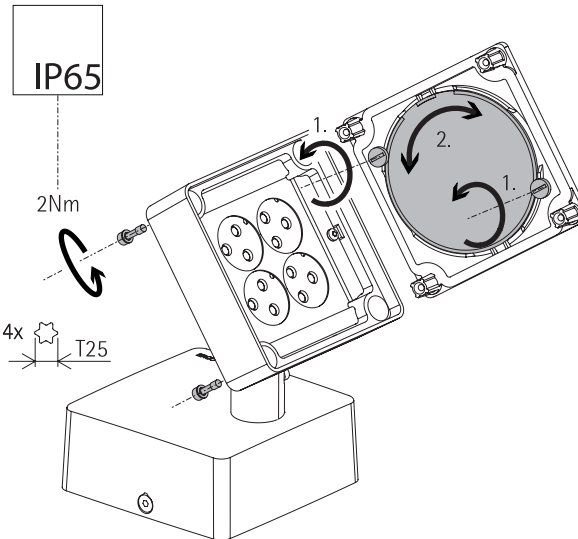
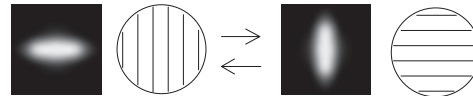
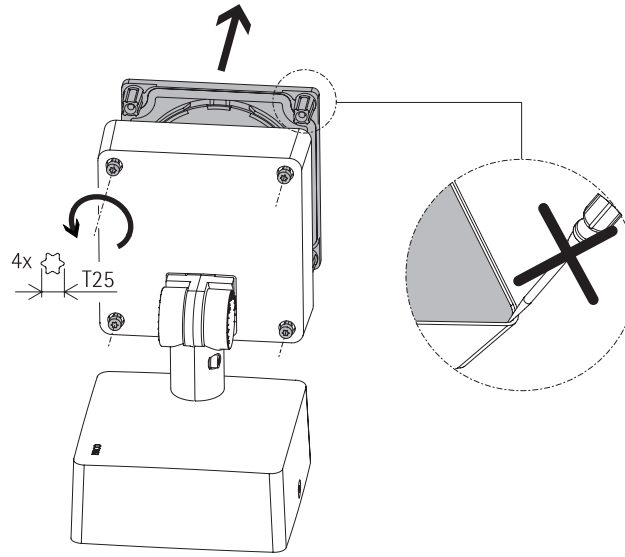


□ 119mm □ 145mm



5

Floodlight



6

Projector
Floodlight
Lens wallwasher

D (mm)	A (m ²)	W (kg)
119x200x154	0.02	1.90
145x227x181	0.03	2.55

7

Luminaire with spot




CAUTION





x = min. 1.25m

8


English

 Read the instructions carefully before installation and commissioning!


 Leave the instructions for users/customers for future reference!

 Our updated product documentation can be accessed at www.erc.com/download.

General safety information


 **Warning!**
Risk of electric shock!



Before carrying out maintenance and installation on the luminaire, disconnect from the mains supply and also from any other DALI control wiring, and ensure that all power is switched off.

 **Warning!**
Danger from falling parts!

Before working on the luminaire, ensure that no people are directly underneath it.

Luminaire with spot

 **Caution!**
Blue light hazard!

  Position a luminaire marked with one of these pictograms so that extended gazing into the luminaire from a distance of less than xm should not be expected. Find the value for x in Figure 8.

Attention!

- Do not operate luminaires with damaged or missing protective covers.
- The LED module of this luminaire may only be replaced or repaired by the manufacturer. If the LED module is damaged or fails, the complete luminaire must be sent back to the factory.
- When installing, always observe the national installation and accident prevention regulations.

Intended use

- The luminaire is suitable for both outdoor and indoor use.
- Dimensions (D), max. reference surface for wind loads (A) and weight (W) are documented in Fig. 7.

Choosing the mounting location

Position the luminaire so as to avoid operation in direct sunlight or near other sources of heat. High ambient temperatures can reduce the life and efficiency of the control gear or LED module.

Electrical installation

For 3-circuit installation: to avoid any damage to the control gear, the neutral conductor must never be connected or disconnected during operation.

Overvoltage protection

ERCO uses electronic control gear with overvoltage protection in accordance with DIN EN 61547. If additional protection from spikes is required, e.g. when

switching off inductive loads, separate overvoltage protection units should be installed.

Luminaire with DALI control gear

- All cables, materials and devices used must be suitable for mains voltage, as the DALI signal is not transmitted using safety extra low voltage (SELV).
- General information on DALI is available at www.digitalilluminationinterface.org.

Notes on corrosion protection

Ensure that the powder coating is not damaged during installation or maintenance work. Any damage, which becomes wet, can result in corrosion occurring. In aggressive environments, the installation and maintenance of all parts will require the appropriate protective measures. Chemicals damage the corrosion protection.

Installation

Attention! When selecting the fixing material observe national standards and regulations valid for the installation location. Depending on the environment, also take corrosion resistance into account.

For watertight closure of the luminaire, observe the torques specified in Fig. 4.

Dimming

Depending on the version, the luminaire can be dimmed via suitable dimmers (trailing edge).

Trailing edge dimmers

Follow the manufacturer's installation instructions.


For some products, the luminaire can only be switched on in the upper dimming range. Before installation and connection, check luminaire, control gear and dimmer combination for proper functioning of the dimmer, especially when using universal dimmers.

The use of dimmers which are unsuitable for LED drivers can damage the luminaire, control gear and/or the dimmer. No responsibility is accepted for the use of dimmers that are unsuitable for the luminaire.

On-board Dim (potentiometer)

The luminous flux can be continuously dimmed with the rotary control on the luminaire, also in addition to the dimmer with trailing edge technology. Switch off the luminaire, open it and set the desired brightness value on the rotary control (Fig. 3).

Rotate oval flood

 **Warning!**
Danger from falling parts!

Always hold the attachment when opening the light head. When the luminaire is opened the attachment may fall to the ground and endanger people underneath.

After loosening the fixing screws, the lens can rotate freely in the light head (Fig. 6).

For watertight closure of the luminaire, observe the torques specified in Fig. 6.

Flashing of the LED module

It is normal for the LED module to flicker when switching on and off.


Cleaning

Always clean carefully using a soft cloth and a commercially available, ph-neutral, alcohol-free, non-abrasive cleaning agent. The powder coating must not be damaged.

Cleaning the safety glass

Safety glass can be cleaned with cleaning agents that are also suitable for glass-ceramic cooking hobs.

Disposal

 In accordance with EU Directive WEEE (Waste Electrical and Electronic Equipment), luminaires must not be disposed of with other household waste. At the end of their life, luminaires must be taken to the appropriate local facility available for the disposal or recycling of electronic products.