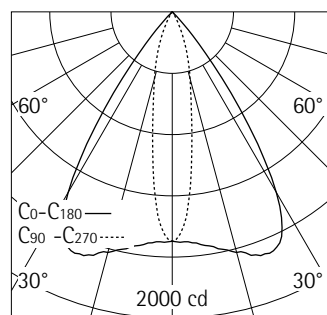
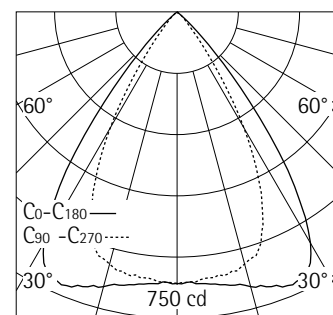


**27434.000** White (RAL9002)  
LED 12W 1260lm 3000K warm white  
DALI-2  
Version 5  
Zoom lens oval

**Product description**  
Cylindrical light head: cast aluminium, powder-coated. 270° tilt.  
Housing: polymer, rotatable on DALI adapter through 360°.  
ERCO DALI control gear.  
DALI adapter for ERCO DALI 220-240V track: polymer, white.  
LED module: high-power LEDs on metal-core PCB. Collimating lens made of optical polymer.  
Zoom attachment: polymer, coated; can be rotated through 360°. Zoom lens, continuously focusable  
Protection Class II  
Weight 0.82kg



h(m)	E(lx)	D(m)	
		C0	C90
1	1497	1.37	0.35
2	374	2.75	0.71
3	166	4.12	1.06
4	94	5.50	1.41
5	60	6.87	1.76



h(m)	E(lx)	D(m)	
		C0	C90
1	665	1.53	1.15
2	166	3.07	2.31
3	74	4.60	3.46
4	42	6.14	4.62
5	27	7.67	5.77

### Technical data

Luminous flux of the luminaire	819lm
Connected load	15.0W
Luminaire efficacy	55lm/W
Colour deviation	1.5 SDCM
Colour rendition index	CRI 92
Lumen maintenance (LED manufacturer specifications)	L90/B10 ≤50000h L90 ≤100000h
LED failure rate	0.1% ≤50000h
Dimming range	0.1%-100%
Dimming method	CCR
LMF	E
Energy efficiency class	EEI A+
Standby power per control gear	0.4W
Luminaires per circuit breaker B16	205



### Mounting

ERCO DALI track  
Hi-trac DALI track  
DALI singlet

For your regional contact in the ERCO  
Sales network click here  
[www.erco.com/contact](http://www.erco.com/contact)

Technical Region: 220-240V 50/60Hz  
We reserve the right to make technical  
and design changes.  
Edition: 21.12.2020  
Current version under  
[www.erco.com/27434.000](http://www.erco.com/27434.000)

## Planning data

Cleaning (a)	1				2				3			
	P	C	N	D	P	C	N	D	P	C	N	D
LMF	0.96	0.94	0.90	0.86	0.93	0.91	0.86	0.81	0.92	0.90	0.84	0.79
RSMF	0.99	0.97	0.95	0.92	0.98	0.97	0.95	0.92	0.98	0.97	0.95	0.92

Hours of operation (h)	1000	5000	10000	20000	30000	40000	50000
LLMF	1.00	0.99	0.98	0.96	0.94	0.92	0.90
LSF	1	1	1	1	1	1	1

MF	LMFxRSMFxLLMFxLSF
MF	Maintenance Factor
LMF	Luminaire Maintenance Factor
RSMF	Room Surface Maintenance Factor
LLMF	Lamp Lumens Maintenance Factor
LSF	Lamp Survival Factor
P	Room pure
C	Room clean
N	Room normal
D	Room dirty

### Technical data in accordance with international norms and standards

IEC 60598	Luminaires – Part 1+2: general requirements, specific requirements and tests
IEC 62031	LED modules for general lighting – safety requirements
IEC 62471	Photobiological safety of lamps and lamp systems
EN 13032-4	Light and lighting – measurement and representation of photometric data
CIE 13	Method of measuring and specifying colour rendering properties of light sources

All technical data is subject to industrially standard tolerances.  
Also see [www.erco.com/erco-led](http://www.erco.com/erco-led)