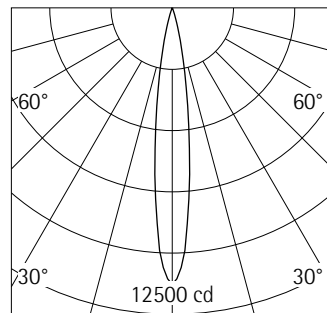


**34130.000** Graphit m  
 LED 12W 1260lm 3000K warm white  
 DALI-2  
 Version 9  
 Spherolit lens, spot

**Product description**  
 Housing, hinge and mounting plate: corrosion-resistant cast aluminium, No-Rinse surface treatment. Double powder-coated. Optimised surface for reduced accumulation of dirt. Hinge with scale and internal wiring. Housing 130° tiltable, rotatable through 360°. DALI control gear. 2 cable entries. 5-pole terminal block. LED module: high-power LEDs on metal-core PCB. Collimating lens made of optical polymer. Compact light head with non-reflecting safety glass. Corrosion-resistant cast aluminium, double powder-coated. Improved screening for highest visual comfort. Protection mode IP65: dust-proof and water jet-proof. Weight 2.50kg. Maximum wind load area 0.03m<sup>2</sup>. Version with 3000K CRI 97 or 2700K, 3500K, 4000K CRI 92 available on request.



h(m)	E(lx)	D(m)
		14°
1	11279	0.25
2	2820	0.49
3	1253	0.74
4	705	0.98
5	451	1.23

**Technical data**

Luminous flux of the luminaire	994lm
Connected load	14.0W
Luminaire efficacy	71lm/W
Colour deviation	1.5 SDCM
Colour rendition index	CRI 92
Lumen maintenance (LED manufacturer specifications)	L90/B10 ≤50000h L90 ≤100000h
LED failure rate	0.1% ≤50000h
Dimming range	1%-100%
Dimming method	CCR
LMF	E
Energy efficiency class	EEI A+
Standby power per control gear	0.5W
Luminaires per circuit breaker B16	50

For your regional contact in the ERCO  
 Sales network click here  
[www.erco.com/contact](http://www.erco.com/contact)

Technical Region: 220-240V 50/60Hz  
 We reserve the right to make technical and design changes.  
 Edition: 21.12.2020  
 Current version under  
[www.erco.com/34130.000](http://www.erco.com/34130.000)

## Planning data

Cleaning (a)	1				2				3			
	P	C	N	D	P	C	N	D	P	C	N	D
LMF	0.96	0.94	0.90	0.86	0.93	0.91	0.86	0.81	0.92	0.90	0.84	0.79
RSMF	0.99	0.97	0.95	0.92	0.98	0.97	0.95	0.92	0.98	0.97	0.95	0.92

Hours of operation (h)	1000	5000	10000	20000	30000	40000	50000
LLMF	1.00	0.99	0.98	0.96	0.94	0.92	0.90
LSF	1	1	1	1	1	1	1

MF	LMFxRSMFxLLMFxLSF
MF	Maintenance Factor
LMF	Luminaire Maintenance Factor
RSMF	Room Surface Maintenance Factor
LLMF	Lamp Lumens Maintenance Factor
LSF	Lamp Survival Factor
P	Room pure
C	Room clean
N	Room normal
D	Room dirty

### Technical data in accordance with international norms and standards

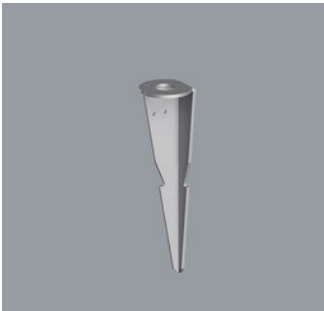
IEC 60598	Luminaires – Part 1+2: general requirements, specific requirements and tests
IEC 62031	LED modules for general lighting – safety requirements
IEC 62471	Photobiological safety of lamps and lamp systems
EN 13032-4	Light and lighting – measurement and representation of photometric data
CIE 13	Method of measuring and specifying colour rendering properties of light sources

All technical data is subject to industrially standard tolerances.  
Also see [www.erco.com/erco-led](http://www.erco.com/erco-led)

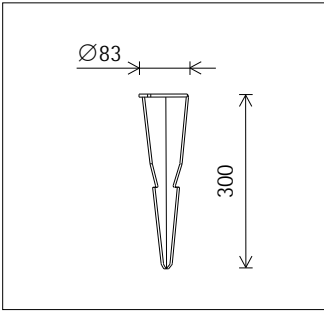
## Accessories



**34974.000**  
 Distribution box, IP68  
 With four cable entries, 7-25mm.  
 Polymer.  
 ø 102mm, L 305mm.  
 Weight 0.47kg  
 CE IP 68 3m



**33973.000**  
 Ground spike  
 Metal, hot-dip galvanised.  
 Cable entry.  
 Weight 0.48kg



**34990.000**  
 Spacer  
 for surface-mounted cables.  
 Corrosion-resistant cast aluminium,  
 No-Rinse surface treatment. Graphit m,  
 double powder-coated.  
 Weight 0.16kg

