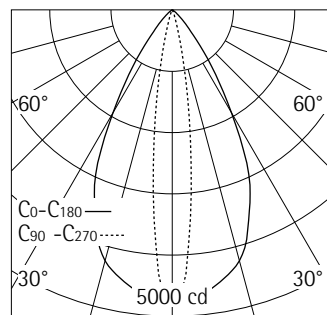


34146.000 Graphit m
 LED 18W 1890lm 3000K warm white
 DALI-2
 Version 9
 Spherolit lens, oval flood

Product description
 Housing, hinge and mounting plate: corrosion-resistant cast aluminium, No-Rinse surface treatment. Double powder-coated. Optimised surface for reduced accumulation of dirt. Hinge with scale and internal wiring. Housing 130° tiltable, rotatable through 360°. DALI control gear. 2 cable entries. 5-pole terminal block. LED module: high-power LEDs on metal-core PCB. Collimating lens made of optical polymer. Lens rotatable through 360°. Compact light head with non-reflecting safety glass. Corrosion-resistant cast aluminium, double powder-coated. Protection mode IP65: dust-proof and water jet-proof. Weight 2.50kg. Maximum wind load area 0.03m². Version with 3000K CRI 97 or 2700K, 3500K, 4000K CRI 92 available on request.



h(m)	E(lx)	D(m)	
		C0	C90
		55°	15°
1	4808	1.04	0.26
2	1202	2.08	0.53
3	534	3.12	0.79
4	301	4.16	1.05
5	192	5.21	1.32

Technical data

Luminous flux of the luminaire	1479lm
Connected load	20.0W
Luminaire efficacy	74lm/W
Colour deviation	1.5 SDCM
Colour rendition index	CRI 92
Lumen maintenance (LED manufacturer specifications)	L90/B10 ≤50000h L90 ≤100000h
LED failure rate	0.1% ≤50000h
Dimming range	1%-100%
Dimming method	CCR
LMF	E
Energy efficiency class	EEI A+
Standby power per control gear	0.5W
Luminaires per circuit breaker B16	50

For your regional contact in the ERCO
 Sales network click here
www.erco.com/contact

Technical Region: 220-240V 50/60Hz
 We reserve the right to make technical and design changes.
 Edition: 21.12.2020
 Current version under
www.erco.com/34146.000

Planning data

Cleaning (a)	1				2				3			
	P	C	N	D	P	C	N	D	P	C	N	D
LMF	0.96	0.94	0.90	0.86	0.93	0.91	0.86	0.81	0.92	0.90	0.84	0.79
RSMF	0.99	0.97	0.95	0.92	0.98	0.97	0.95	0.92	0.98	0.97	0.95	0.92

Hours of operation (h)	1000	5000	10000	20000	30000	40000	50000
LLMF	1.00	0.99	0.98	0.96	0.94	0.92	0.90
LSF	1	1	1	1	1	1	1

- MF LMFxRSMFxLLMFxLSF
- MF Maintenance Factor
- LMF Luminaire Maintenance Factor
- RSMF Room Surface Maintenance Factor
- LLMF Lamp Lumens Maintenance Factor
- LSF Lamp Survival Factor
- P Room pure
- C Room clean
- N Room normal
- D Room dirty

Technical data in accordance with international norms and standards

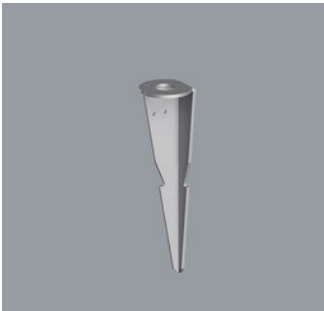
- IEC 60598 Luminaires – Part 1+2: general requirements, specific requirements and tests
- IEC 62031 LED modules for general lighting – safety requirements
- IEC 62471 Photobiological safety of lamps and lamp systems
- EN 13032-4 Light and lighting – measurement and representation of photometric data
- CIE 13 Method of measuring and specifying colour rendering properties of light sources

All technical data is subject to industrially standard tolerances.
 Also see www.erco.com/erco-led

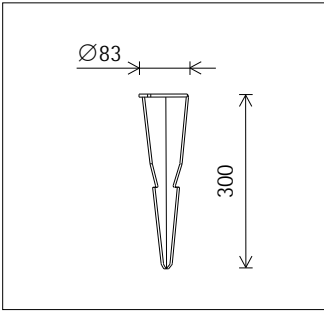
Accessories



34974.000
 Distribution box, IP68
 With four cable entries, 7-25mm.
 Polymer.
 ø 102mm, L 305mm.
 Weight 0.47kg
CE IP 68 3m



33973.000
 Ground spike
 Metal, hot-dip galvanised.
 Cable entry.
 Weight 0.48kg



34990.000
 Spacer
 for surface-mounted cables.
 Corrosion-resistant cast aluminium,
 No-Rinse surface treatment. Graphit m,
 double powder-coated.
 Weight 0.16kg

