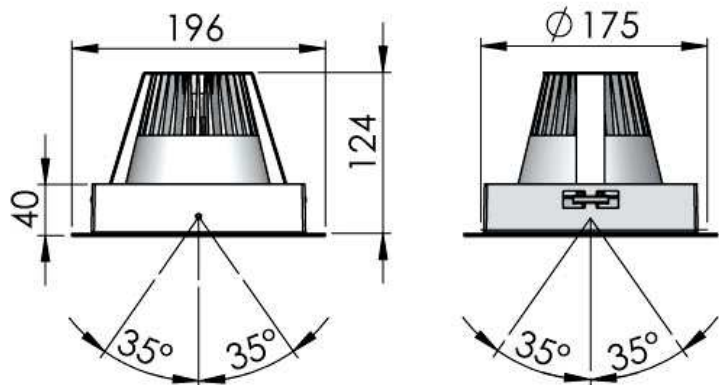


First LED



First LED –series is a series of high performance cardanic recessed luminaires that is particularly suitable for retail environments. First LED is available in Single- and Duo-versions with one and two lightsources respectively. The aluminium die-cast body ensures effective passive cooling which increases LED module lifetime. First LED has an excellent efficiency (LOR up to 93%). Luminaire is supplied with safety glass included.

Color consistency	MacAdams 3 SDCM
Lumen maintenance	50 000h (L70 B50)
Material	Powder painted die-cast aluminium
Installation	Spring mounted, no tools required. Installation cut-out: First Single LED: 180mm x 180mm and First Duo LED: 180mm x 355mm. Maximum ceiling thickness: 25mm
Cooling	Passive cooling
IP code	IP20
Accessories	Food filters: fruit, vegetable, fish, meat & bakery