

Brand: EnviLamp • Type series: DarkSky

Typ: **SLSG1- 40W/3000K • 5200lm • Ra80**

Typ: **SLSG1 Amber 40W/1800K • 3600lm • Ra70**

Typ: **SLSG1- 40W/PC AMBER • 3400lm • Ra50**

Typ: **SLSG1- 60W/3000K • 7800lm • Ra70**



220-240V • PF>0,97 • 50/60Hz • IP66
IK09 • -20°C~+50°C • prepäťová ochrana 6kV
LED driver Tridonic D4i • EDISON LEDmodul

Smart poulicne svietidlo • objimka Zhaga dole



Tento doklad spolu s dokladom o kúpe slúži ako Záručný list
This document together with the proof of purchase serves as Letter of Warranty
Dieses Dokument dient zusammen mit dem Kaufbeleg als Garantie

SK: Štandardná záruka 2 roky.
Pre projektovú záruku zaregistrujte projekt u dodávateľa.

EN: Standard warranty 2 years.
Register the project with the supplier for the project guarantee.

DE: Standardgarantie 2 Jahre.
Registrieren Sie das Projekt beim Lieferanten für die Projektgarantie.

Pokyny pre montáž

- Svietidlo môže inštalovať len kvalifikovaná osoba – elektrikár.
- Inštalujte v súlade s platnými predpismi.
- Skontrolujte, či je elektrické napájanie vypnuté. Odpojte zdroj energie. Uistite sa, že napájanie nie je možné obnoviť náhodou.
- Určite spôsob upevnenia vhodný pre konštrukciu.
- Inštalatéri musia zabezpečiť, aby sa používali napájacie káble so správnym teplotným určením.

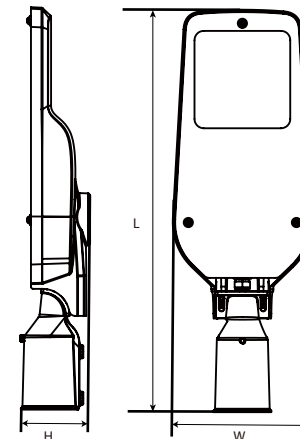


SK: Pred montážou svietidla si dôkladne preštudujte pokyny pre montáž. Nerozoberajte svietidlo – hrozí zásah elektrickým prúdom alebo zničenie svietidla. Za škody spôsobené nedodržaním pokynov nenesie výrobca/importér žiadnu zodpovednosť. V zmysle STN EN 60598-1 Svietidlá Časť 1 deklaruujeme, že: svetelný zdroj inštalovaný v tomto svietidle môže vymieňať iba výrobca, jeho servisný zástupca alebo rovnako kvalifikovaná osoba. Pri odovzdávaní produktu ďalším osobám, prosím, odovzdajte s produktom aj tento návod.

STREET LIGHT



Dimension:(mm)



Watts(W)	L(mm)	W(mm)	H(mm)	Pole diameter(mm)
20/30/40 50/60/70	520	180	90	60
70/80/90 100/110/120	673	196	90	60

Using and Maintenance:



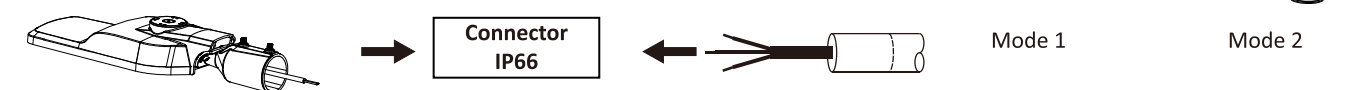
- 1.The luminaires shall be installed and maintained by qualified electrician and wired in accordance with the latest IEC electrical regulations or national requirements.
- 2.To prevent the risk of electric shock, turn off power supply before installation. It is not permitted to connect the luminaire to high-voltage AC supply line directly.
- 3.The luminaire is in accordance with EN 60598-1 and European standards.
- 4.The luminaire must be wired correctly.The input voltage and current must meet the requirements. The supplier will not be responsible for the consequences for inappropriate operation.
- 5.The light source contained in this luminaire shall only be replaced by the manufacturer or his service agent or a similar qualified person.
6. The external flexible cable or cord of this luminaire cannot be replaced; if the cord is damaged, the luminaire shall be destroyed.
7. This marking indicates that this product should not be disposed with other household wastes throughout the EU. To prevent possible harm to the environment or human health from uncontrolled waste disposal, recycle it responsibly to promote the sustainable reuse of material resources. To return your used device, please use the return and collection systems or contact the retailer where the product was purchased. They can take this product for environmental safe recycling.

Installation Instruction

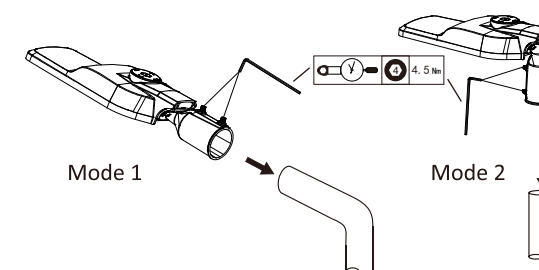
Operative instructions

1 Choose how to install the street light if with the bracket in axis (Mode 1) or perpendicular to its body (Mode 2). The bracket can be released by removing the screws that attach to the street light

2 Connect to the power line using IP66 connectors and respecting the connection diagram.



3 Insert the street light to the ø60mm pole, tightening the screws on it.



4 After selecting the Installation Mode, you can further orient the street light by some degree by sliding the screws on the grooves.(-15°~+15°)

5 Finally, tighten definitively bracket's screws to ensure it to the street light.