



# LED LIGHTING FOR FURNITURE HOUSES

Made for its purpose



| VERSATILE SUSPENDER-LAMP FOR RETAIL

# CRAFT

ELEGANT – AFFORDABLE

- Space Saver
- COB Lumen output up to 7000 lm
- Dali Compatible
- White - Black - Silver



Ø 129 mm

# SECUR

TRADITIONAL – AFFORDABLE

- Acrylic or Aluminium shade
- Dali Compatible
- Head colors: White - Black - Silver



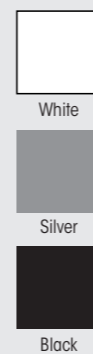
Ø 407 mm

**SECUR 816** UP TO 7000 lm

**SECUR 812**

3-CIRCUIT TRACKS	2-Step MacAdam				FOR HIGH COLOR CONSISTENCY		
	LED module	mA	Colour temp.	CRI	COB Max. Luminous Flux	Module Wattage	System Wattage
Craft	CLU038-1206	1050	3 000K	CRI 80+	5 000 Lm	38W	42W
Craft	CLU038-1206	1050	3 000K B.BBL	CRI 90+	4 075 Lm	38W	42W
Craft	CLU048-1212	1400	3 000K	CRI 80+	7 050 Lm	49W	55W
Craft	CLU048-1212	1400	3 000K B.BBL	CRI 90+	5 750 Lm	49W	55W

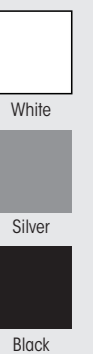
COLOURS



• LIGHTING FOR FURNITURE HOUSES

PRODUCT	2-Step MacAdam				POWER		
	LED module	mA	Colour temp.	CRI	Max. Luminous Flux	Module Wattage	System Wattage
Secur 812	CLU038-1206	900	3 000K	CRI 80+	4 325 Lm	32W	35W
Secur 812	CLU038-1206	900	3 000K B.BBL	CRI 90+	3 525 Lm	32W	35W
Secur 816	CLU038-1206	1050	3 000K	CRI 80+	5 000 Lm	38W	42W
Secur 816	CLU038-1206	1050	3 000K B.BBL	CRI 90+	4 075 Lm	38W	42W
Secur 816	CLU048-1212	1400	3 000K	CRI 80+	7 050 Lm	49W	55W
Secur 816	CLU048-1212	1400	3 000K B.BBL	CRI 90+	5 750 Lm	49W	55W

COLOURS



• LIGHTING FOR FURNITURE HOUSES

# GLIDER-X



**GLIDER-X-STD**

15°, 20°, 30°, 50°



**GLIDER-X-ML**

15°, 20°, 30°, 50°



**GLIDER-X-STD**

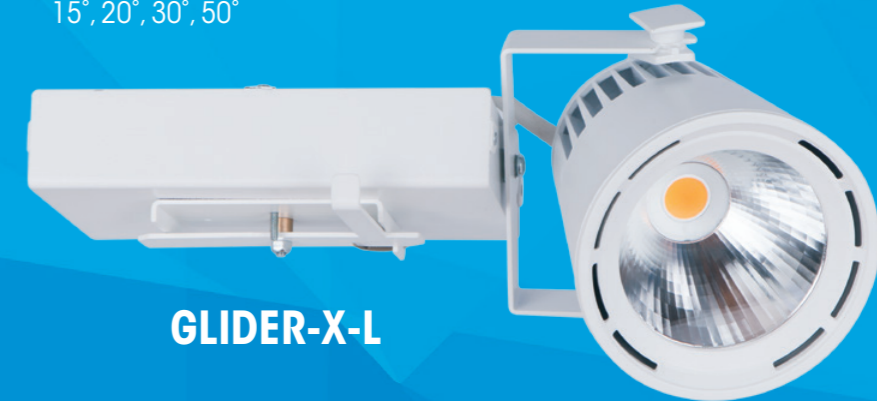
15°, 20°, 30°, 50°

# GLIDER-X



**GLIDER-X-U**

15°, 20°, 30°, 50°



**GLIDER-X-L**

15°, 20°, 30°, 50°



**GLIDER-X-S**

15°, 20°, 30°, 50°

PRODUCT	2-Step MacAdam				POWER		
	LED module	mA	Colour temp.	CRI	COB Max. Luminous Flux	Module Wattage	System Wattage
GLIDER-X	CLU038-1206	900	3 000K	CRI 80+	4 325 Lm	32W	35W
GLIDER-X	CLU038-1206	900	3 000K B.BBL	CRI 90+	3 525 Lm	32W	35W

COLOURS



White



Silver



Black

PRODUCT	2-Step MacAdam				POWER		
	LED module	mA	Colour temp.	CRI	COB Max. Luminous Flux	Module Wattage	System Wattage
GLIDER-X	CLU038-1206	900	3 000K	CRI 80+	4 325 Lm	32W	35W
GLIDER-X	CLU038-1206	900	3 000K B.BBL	CRI 90+	3 525 Lm	32W	35W

COLOURS



White



Silver

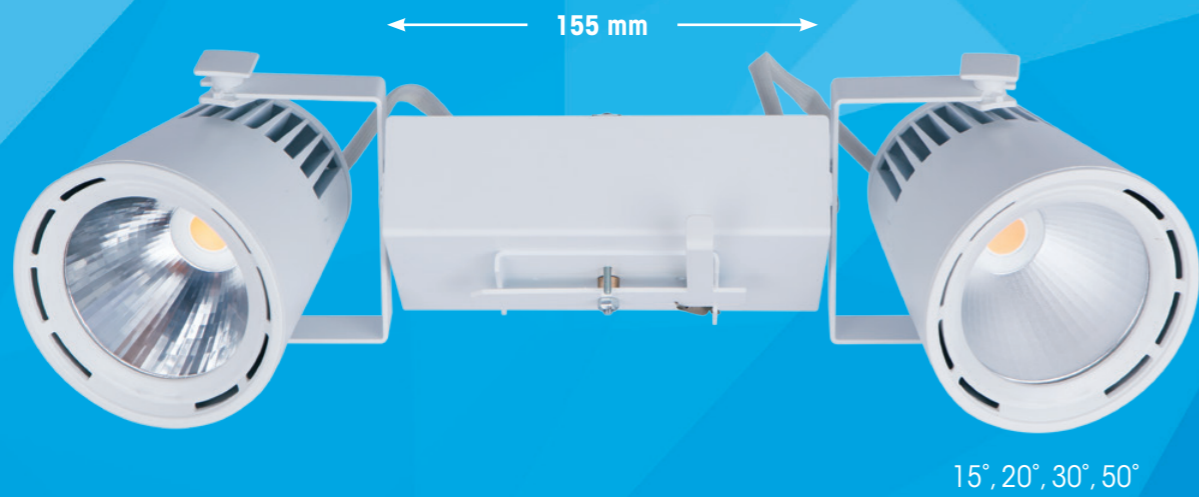


Black

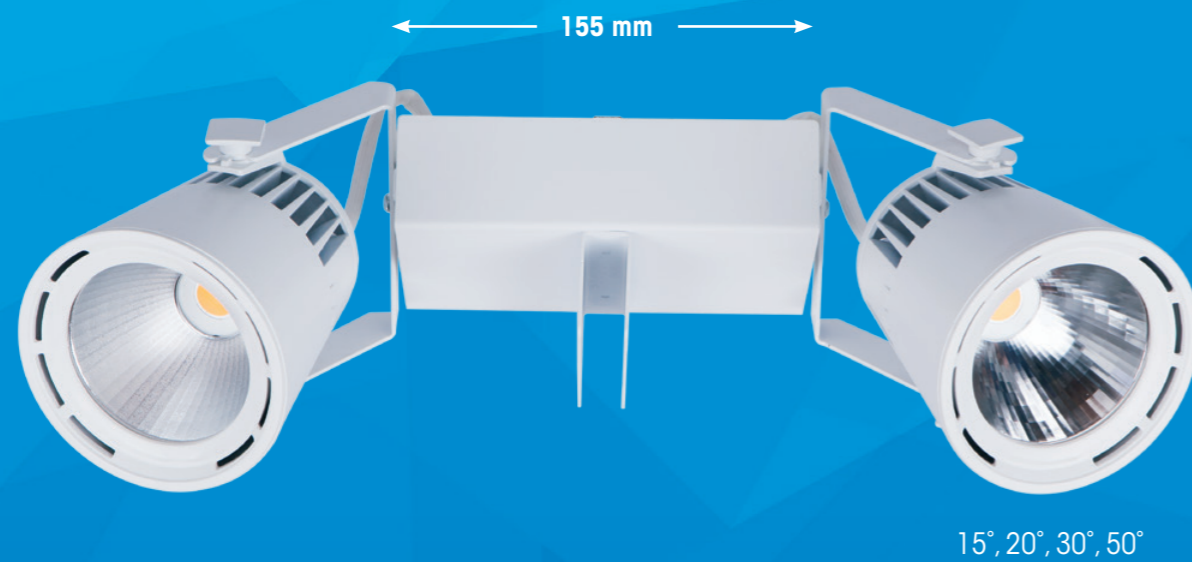
● LIGHTING FOR FURNITURE HOUSES

● LIGHTING FOR FURNITURE HOUSES

# GLIDER-X



# GLIDER-X-LD



# GLIDER-X-UD

# LED KEEN



# VERTICAL



# HORIZONTAL

PRODUCT	2-Step MacAdam				POWER		
	LED module	mA	Colour temp.	CRI	Max. Luminous Flux	Module Wattage	System Wattage
GLIDER-X	CLU038-1206	900	3 000K	CRI 80+	2 x 2175 Lm	2x16W	35W
GLIDER-X	CLU038-1206	900	3 000K B.BBL	CRI 90+	2 x 1775 Lm	2x16W	35W

COLOURS



● LIGHTING FOR FURNITURE HOUSES

PRODUCT	2-Step MacAdam				POWER		
	LED module	mA	Colour temp.	CRI	Max. Luminous Flux	Module Wattage	System Wattage
LED	CLU038-1206	1050	3 000K	CRI 80+	4 900 Lm	38W	42W
LED	CLU038-1206	1050	3 000K B.BBL	CRI 90+	3 850 Lm	38W	42W

COLOURS



● LIGHTING FOR FURNITURE HOUSES

# PROJECTORS

# MÖBEL-FIX



PRODUCT	2-Step MacAdam				POWER		
	LED module <b>6-Gen</b>	mA	Colour temp.	CRI	Max. Luminous Flux	Module Wattage	System Wattage
Casa DC	CLU038-1206	750	3 000K	CRI 80+	3 650 Lm	26W	28W
Casa DC	CLU038-1206	750	3 000K B.BBL	CRI 90+	2 975 Lm	26W	28W
KIVA / KEEN AD	CLU038-1206	900	3 000K	CRI 80+	4 325 Lm	32W	35W
KIVA / KEEN AD	CLU038-1206	900	3 000K B.BBL	CRI 90+	3 525 Lm	32W	35W

COLOURS



● LIGHTING FOR FURNITURE HOUSES

PRODUCT	2-Step MacAdam				POWER		
	LED module <b>6-Gen</b>	mA	Colour temp.	CRI	Max. Luminous Flux	Module Wattage	System Wattage
GA-020 Standard	CLU038-1206	440	3 000K	CRI 80+	2 400 Lm	15W	17W
GA-020 Standard	CLU038-1206	440	3 000K B.BBL	CRI 90+	1 950 Lm	15W	17W
MÖBEL-FIX	CLU038-1206	900	3 000K	CRI 80+	4 325 Lm	32W	35W
MÖBEL-FIX	CLU038-1206	900	3 000K B.BBL	CRI 90+	3 525 Lm	32W	35W

COLOURS

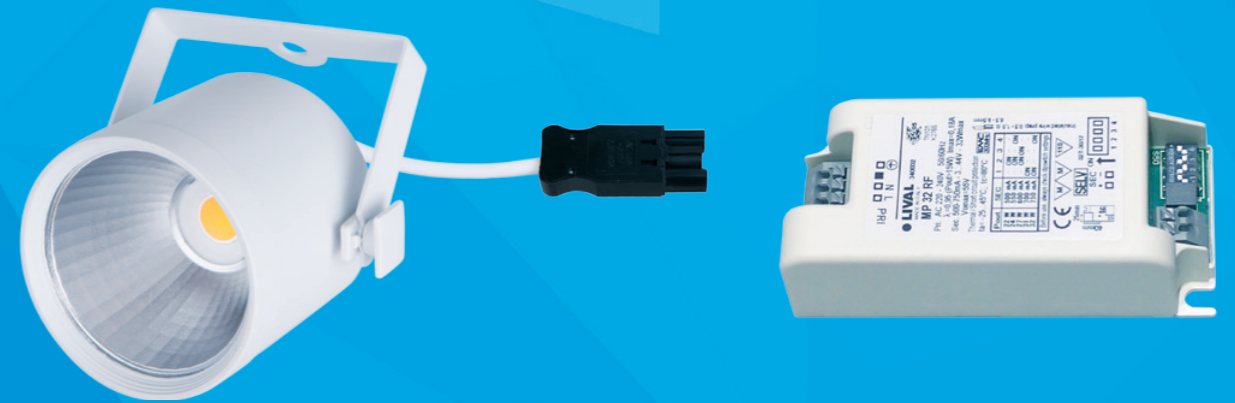


● COUNTLESS VARIATIONS  
● LIGHTING FOR FURNITURE HOUSES

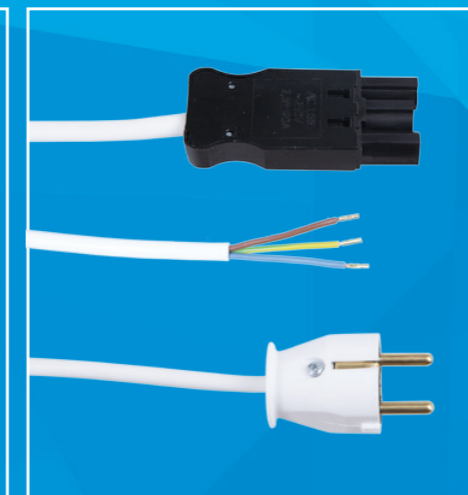
# PURPOSEFUL VARIATIONS



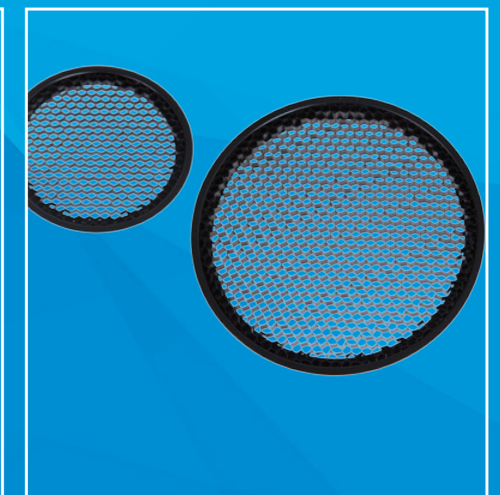
# ACCESSORIES FOR DIFFERENT LED LIGHT NEEDS



Ripple free electronics



Different connection options



Rasters

# EXTREME LIGHT QUALITY

## GEN-6

MacAdam 2-Step  
830, 930 B.BBL, 935 B.BBL

