

LIGHTING THE WAY – FOR MORE THAN 70 YEARS

 **LIVAL**



NANO LINEAR
led light solutions for retail

 **LIVAL** GROUP

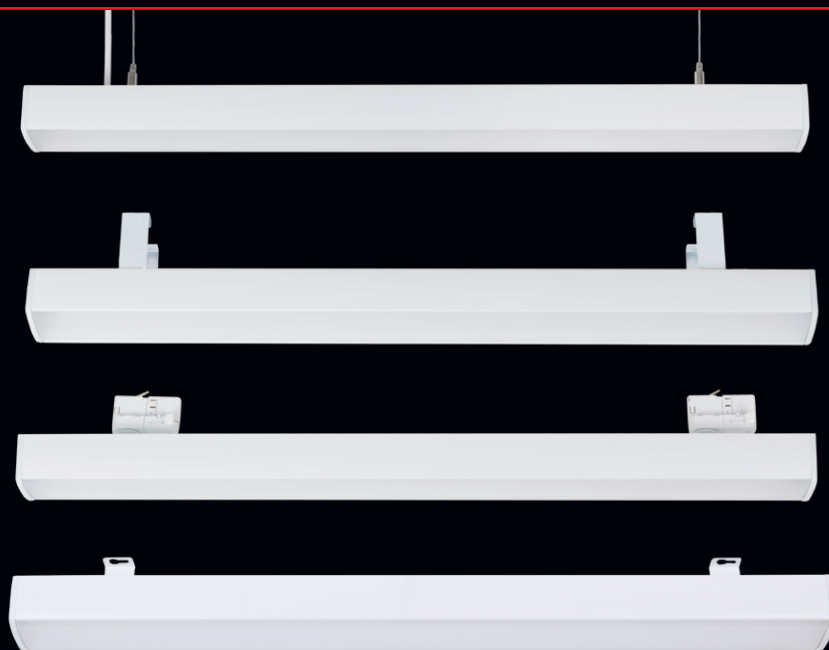
Made in Finland • www.lival.com



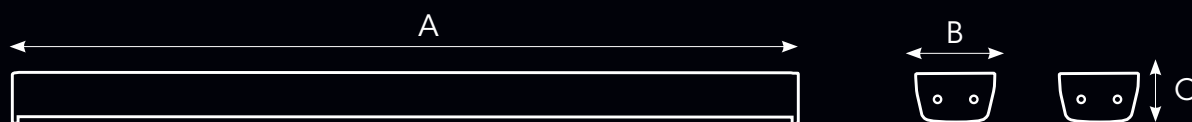
Range from 800 to 2400mm

Can be customised up to 3500mm

NANO

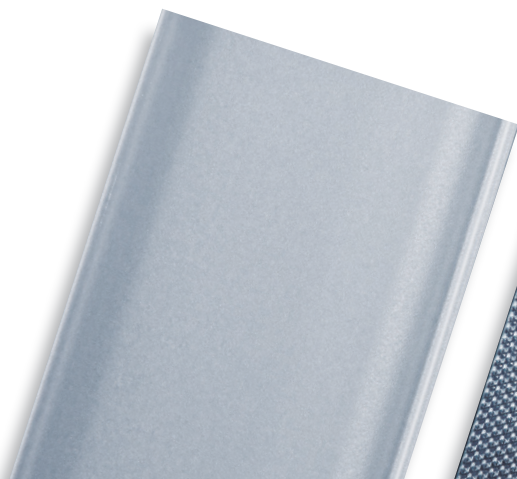


Telescope extension from 100mm to 500mm

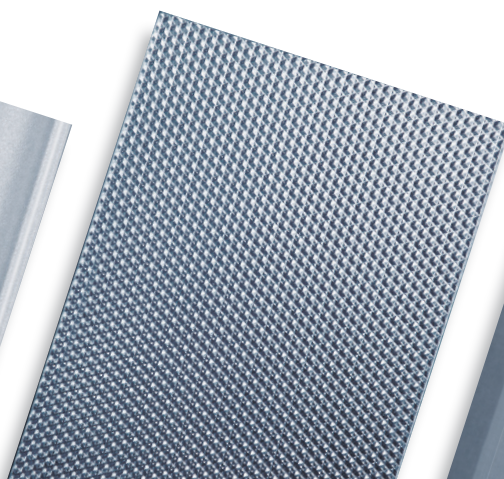


NANO	A	B	C
800 mm	812 mm	82 mm	52 mm
1200 mm	1212 mm	82 mm	52 mm
2400 mm	2412 mm	82 mm	52 mm
1200 mm telescope	1750 mm	82 mm	52 mm
2400 mm telescope	2950 mm	82 mm	52 mm

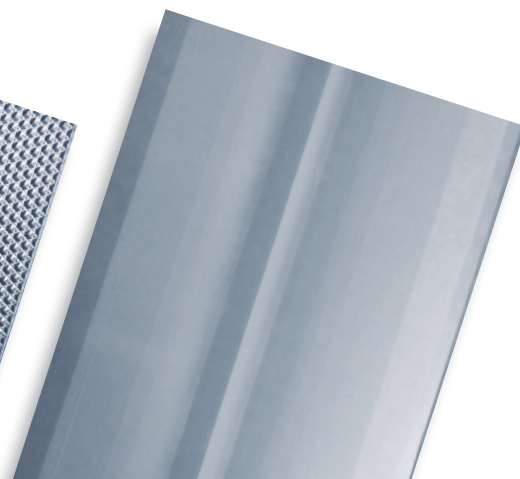
Lens options for Nano



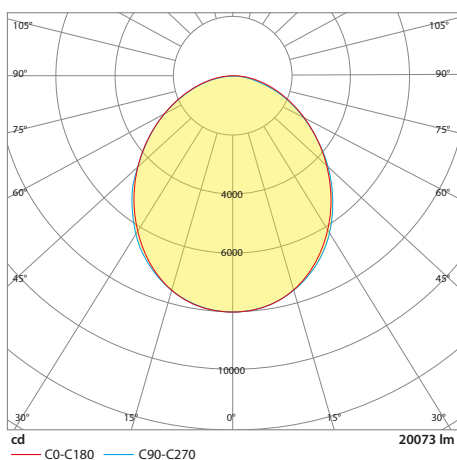
Opal diffuser



Microprismatic lens

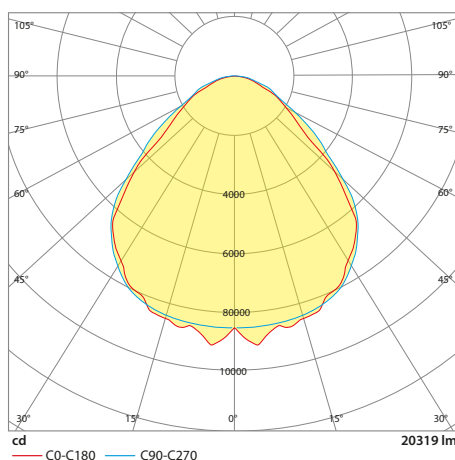


Nano double asymmetric



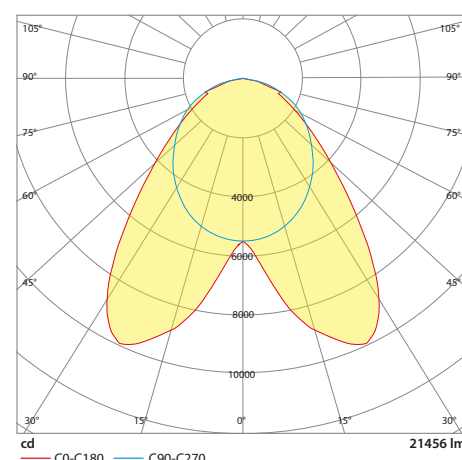
OPAL

General lighting



Microprismatic

Low glare optics for general lighting



Nano Double Asymmetric

Lighting of merchandise shelves

PROFILE LENGTH	LIGHTSOURCE				POWER			COLOURS
	LED Board	mA	Colour temp.	CRI	Max. Luminous Flux	System Wattage	System Efficacy	
800 mm	LM800/830	350	3 000K	CRI 80+	6 875 Lm	54W	127Lm/W	<div style="display: flex; flex-direction: column; align-items: center;"> <div style="border: 1px solid black; width: 20px; height: 20px; background-color: white; margin-bottom: 5px;"></div> White <div style="background-color: #cccccc; width: 20px; height: 20px; margin-bottom: 5px; margin-top: 5px;"></div> Silver <div style="background-color: black; width: 20px; height: 20px; margin-bottom: 5px; margin-top: 5px;"></div> Black </div>
800 mm	LM800/840	350	4 000K	CRI 80+	7 275 Lm	55W	132Lm/W	
1200 mm	LM1200/830	350	3 000K	CRI 80+	10 300 Lm	81W	129Lm/W	
1200 mm	LM1200/840	350	4 000K	CRI 80+	10 900 Lm	81W	135Lm/W	
2400 mm	2x LM1200/830	350	3 000K	CRI 80+	20 150 Lm	160W	126Lm/W	
2400 mm	2x LM1200/840	350	4 000K	CRI 80+	21 450 Lm	160W	134Lm/W	

MULTIFUNCTIONAL ENERGY EFFICIENT

MOUNTING OPTIONS



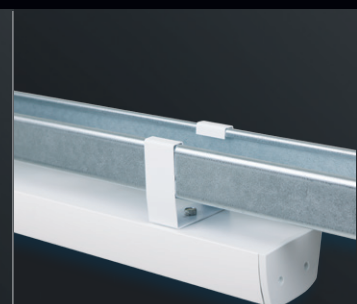
Adapter tilt or fixed



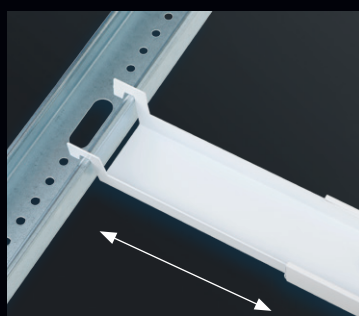
2 adapter tilt or fixed



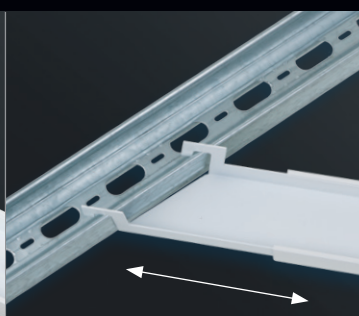
Wire up to 5000 mm



Rail bracket



Telescope 100-500 mm



Telescope 45°



Ceiling bracket