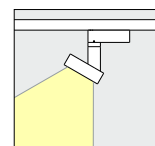
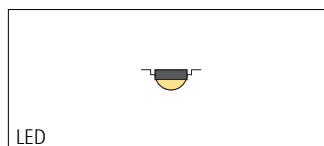
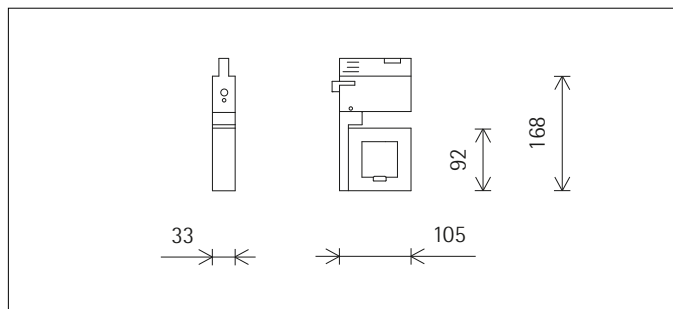
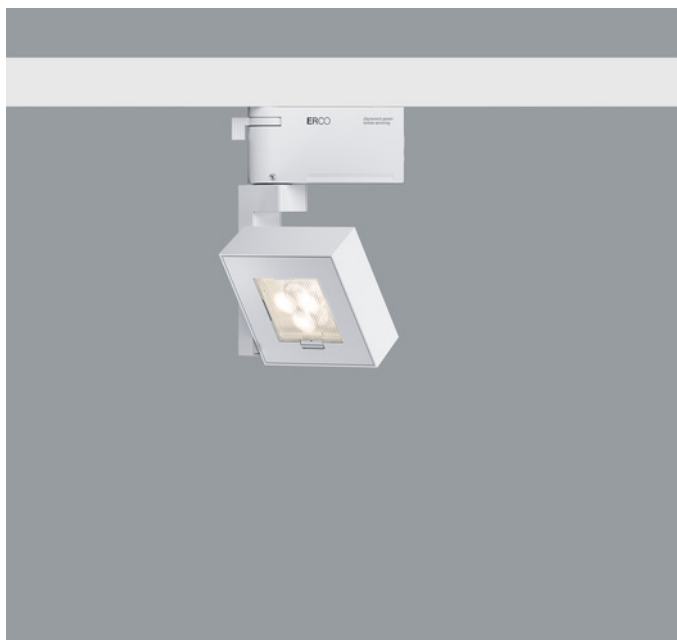
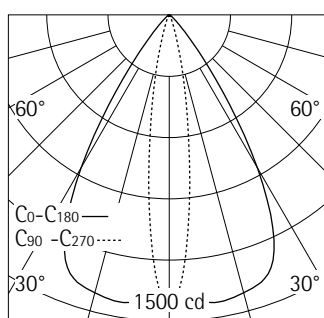


with transadpater



75177.000 White (RAL9002)
 LED 6W 630lm 3000K warm white
 Switchable
 Version 6
 Spherolit lens, oval flood

Product description
 Housing and bracket: cast aluminium, powder-coated. 0°-90° tilt. Bracket on transadpater rotatable through 360°. Internal wiring.
 Transadpater for ERCO 220-240V track: polymer, white. ERCO control gear.
 LED module: high-power LEDs on metal-core PCB. Collimating lens made of optical polymer. Lens mountable turned through 90°.
 Frame: polymer.
 Protection Class II
 Weight 0.54kg



| h(m) | E(lx) | D(m) | |
|------|-------|------|------|
| | | C0 | C90 |
| | | 63° | 16° |
| 1 | 1399 | 1.23 | 0.28 |
| 2 | 350 | 2.45 | 0.56 |
| 3 | 155 | 3.68 | 0.84 |
| 4 | 87 | 4.90 | 1.12 |
| 5 | 56 | 6.13 | 1.41 |

Technical data

| | |
|---|---------------------------------|
| Luminous flux of the luminaire | 532lm |
| Connected load | 8.0W |
| Luminaire efficacy | 66lm/W |
| Colour deviation | 1.5 SDCM |
| Colour rendition index | CRI 92 |
| Lumen maintenance (LED manufacturer specifications) | L90/B10 ≤50000h L90 ≤100000h |
| LED failure rate | 0.1% ≤50000h |
| Dimming range | -- |
| Dimming method | -- |
| LMF | E |
| Energy efficiency class | EEI A+ |
| Standby power per control gear | -- |
| Luminaires per circuit breaker B16 | 79 |



Mounting
 ERCO 3-circuit track
 Hi-trac 3-circuit track

For your regional contact in the ERCO
 Sales network click here
www.erco.com/contact

Technical Region: 220-240V 50/60Hz
 We reserve the right to make technical
 and design changes.
 Edition: 19.10.2020
 Current version under
www.erco.com/75177.000

Planning data

| Cleaning (a) | 1 | | | | 2 | | | | 3 | | | |
|--------------|------|------|------|------|------|------|------|------|------|------|------|------|
| | P | C | N | D | P | C | N | D | P | C | N | D |
| LMF | 0.96 | 0.94 | 0.90 | 0.86 | 0.93 | 0.91 | 0.86 | 0.81 | 0.92 | 0.90 | 0.84 | 0.79 |
| RSMF | 0.99 | 0.97 | 0.95 | 0.92 | 0.98 | 0.97 | 0.95 | 0.92 | 0.98 | 0.97 | 0.95 | 0.92 |

| Hours of operation (h) | 1000 | 5000 | 10000 | 20000 | 30000 | 40000 | 50000 |
|------------------------|------|------|-------|-------|-------|-------|-------|
| LLMF | 1.00 | 0.99 | 0.98 | 0.96 | 0.94 | 0.92 | 0.90 |
| LSF | 1 | 1 | 1 | 1 | 1 | 1 | 1 |

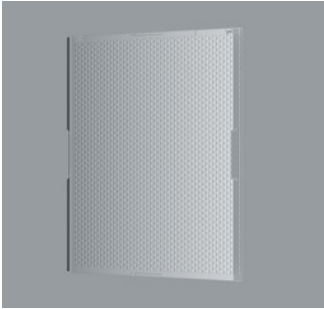
- MF LMFxRSMFxLLMFxLSF
- MF Maintenance Factor
- LMF Luminaire Maintenance Factor
- RSMF Room Surface Maintenance Factor
- LLMF Lamp Lumens Maintenance Factor
- LSF Lamp Survival Factor
- P Room pure
- C Room clean
- N Room normal
- D Room dirty

Technical data in accordance with international norms and standards

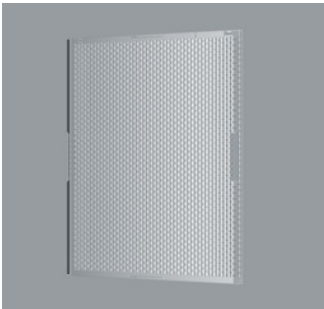
- IEC 60598 Luminaires – Part 1+2: general requirements, specific requirements and tests
- IEC 62031 LED modules for general lighting – safety requirements
- IEC 62471 Photobiological safety of lamps and lamp systems
- EN 13032-4 Light and lighting – measurement and representation of photometric data
- CIE 13 Method of measuring and specifying colour rendering properties of light sources

All technical data is subject to industrially standard tolerances.
 Also see www.erco.com/erco-led

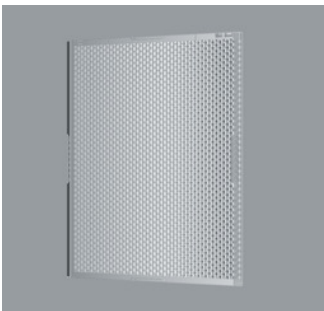
Accessories



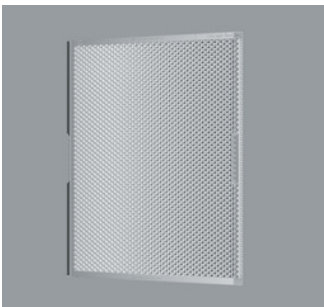
75219.000
Spherolit lens spot
made of optical polymer.
Replacement without tools.



75220.000
Spherolit lens flood
made of optical polymer.
Replacement without tools.



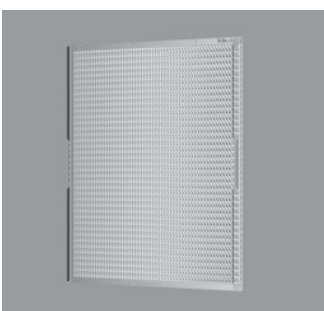
75221.000
Spherolit lens wide flood
made of optical polymer.
Replacement without tools.



73999.000
Spherolit lens extra wide flood
made of optical polymer.
Replacement without tools.



75222.000
Spherolit lens oval flood
made of optical polymer.
Replacement without tools.



75218.000
Spherolit lens wallwash
made of optical polymer.
Replacement without tools.