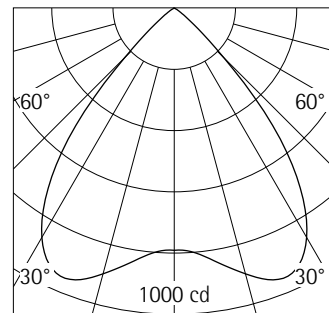


83223.000
 LED 16W 1680lm 3000K warm white
 Switchable
 Version 5
 Size 4
 Lens system, extra wide flood

Product description
 Housing: cast aluminium, designed as heat sink, with connection cable L 500mm. Fixing ring: polymer, black. Mounting ring: Polymer, white (RAL9002). Expanding spring fixing for ceiling thicknesses of 1-25mm. Includes control gear. 2-pole terminal block.
 LED module: high-power LEDs on metal-core PCB. Lens system made of optical polymer.
 Anti-glare ring with cross-baffle: polymer, aluminium vaporised, silver, ribbed. Optical cut-off 30°. The luminaire is protected on the room side against splashing water.
 Protection Class II
 Weight 0.75kg



Beam angle
 C₀ 81°

Technical data

Luminous flux of the luminaire	1431lm
Connected load	19.0W
Luminaire efficacy	75lm/W
Colour deviation	1.5 SDCM
Colour rendition index	CRI 92
Lumen maintenance (LED manufacturer specifications)	L90/B10 ≤50000h L90 ≤100000h
LED failure rate	0.1% ≤50000h
Dimming range	--
Dimming method	--
LMF	E
Energy efficiency class	EEI A+
Standby power per control gear	--
Luminaires per circuit breaker B16	30

For your regional contact in the ERCO
 Sales network click here
www.erco.com/contact

Technical Region: 220-240V 50/60Hz
 We reserve the right to make technical and design changes.
 Edition: 21.12.2020
 Current version under
www.erco.com/83223.000

Planning data

83223.000	LED 16W 1680lm 3000K warm white
Connected load	P: 19 W
Connected load per 100lx	P*: 1.2 W/m ²
Number of luminaires per 100lx	n*: 6.5 1/100m ²

83223.000	LED 16W 1680lm 3000K warm white			
Number of luminaires per 100m ² for	100lx	200lx	300lx	500lx
	7	14	20	33

83223.000	LED 16W 1680lm 3000K warm white			
Module (m)	1.2x1.8	1.8x1.8	1.8x2.4	2.4x2.4
Illuminance E _n (lx) for module (m)	708	472	354	265

Correction table

Ceiling	0.70	0.70	0.70	0.50	0
Wall	0.70	0.50	0.20	0.20	0
Floor	0.50	0.20	0.20	0.10	0

k	0.6	82	56	61	54	49
k	1.0	97	74	77	70	64
k	1.5	107	89	89	82	76
k	2.5	114	100	97	90	84
k	3.0	116	104	100	93	87

Cleaning (a)	1				2				3			
Ambient conditions	P	C	N	D	P	C	N	D	P	C	N	D
LMF	0.96	0.94	0.90	0.86	0.93	0.91	0.86	0.81	0.92	0.90	0.84	0.79
RSMF	0.97	0.95	0.91	0.86	0.97	0.94	0.90	0.86	0.97	0.94	0.90	0.86

Hours of operation (h)	1000	5000	10000	20000	30000	40000	50000
LLMF	1.00	0.99	0.98	0.96	0.94	0.92	0.90
LSF	1	1	1	1	1	1	1

MF	LMFxRSMFxLLMFxLSF
MF	Maintenance Factor
LMF	Luminaire Maintenance Factor
RSMF	Room Surface Maintenance Factor
LLMF	Lamp Lumens Maintenance Factor
LSF	Lamp Survival Factor
P	Room pure
C	Room clean
N	Room normal
D	Room dirty

Technical data in accordance with international norms and standards

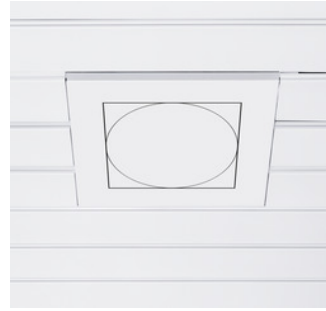
IEC 60598	Luminaires – Part 1+2: general requirements, specific requirements and tests
IEC 62031	LED modules for general lighting – safety requirements
IEC 62471	Photobiological safety of lamps and lamp systems
EN13032-4	Light and lighting – measurement and representation of photometric data
CIE 13	Method of measuring and specifying colour rendering properties of light sources

All technical data is subject to industrially standard tolerances.
Also see www.erco.com/erco-led

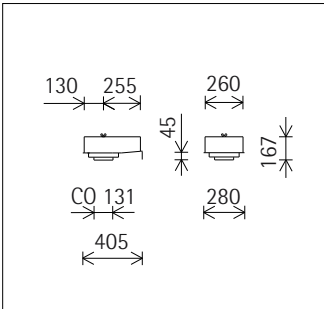
Accessories



83738.000
Concrete housing
Stainless steel, galvanised/powder-coated.
Recommended 0-8mm aggregate for the concrete.
Weight 4.35kg



82950.000
Mounting plate for panelled ceilings
Metal, white (RAL9002) powder-coated.
Individual design of mounting plates according to ceiling type and luminaire.
Quote ceiling type and dimensions.



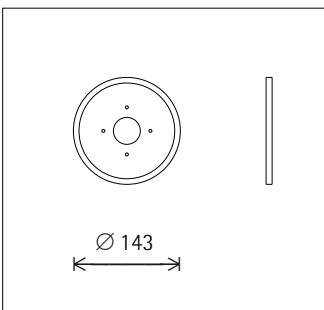
88290.000
Compensation set
For oversize ceiling cut-out.
Lock ring: Sheet steel, galvanised.
Mounting for ceiling thickness of min. 10mm.
Cover ring: Metal, white.
when ordering, please state the diameter of the existing ceiling cutout and the diameter of the luminaire.



83595.000
Spacer plate
Aluminium.
For flush-mounting of downlights in concrete housings in exposed concrete ceilings.
Weight 0.07kg



83980.000
Cover ring
Metal, white. For covering the gap where ceiling cut-outs are too big.
Inner and outer diameter to be specified when placing order.



82936.000
Mounting ring
For flush mounting of luminaires with ceiling aperture \varnothing 131mm.
Polymer, white (RAL9002). Mounting for ceiling thicknesses of 12.5-25mm.
The recess depth of the luminaire increases by 2mm.
Weight 0.10kg

