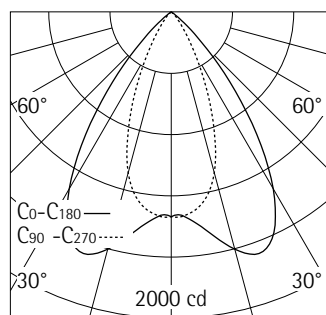


**83303.000**  
 LED 16W 1680lm 3000K warm white  
 Switchable  
 Version 5  
 Size 4  
 Covered mounting detail  
 Lens system, oval flood

**Product description**  
 Housing: cast aluminium, designed as heat sink, with connection cable L 500mm. Fixing ring: polymer, black. Mounting ring: Polymer, white (RAL9002). Expanding spring fixing for ceiling thicknesses of 1-25mm. Includes control gear. 2-pole terminal block.  
 LED module: high-power LEDs on metal-core PCB. Lens system made of optical polymer.  
 Anti-glare ring with cross-baffle: polymer, aluminium vaporised, silver, ribbed. Optical cut-off 30°.  
 The luminaire is protected on the room side against splashing water.  
 Protection Class II  
 Weight 0.75kg



Beam angle  
 C<sub>0</sub> 73°  
 C<sub>90</sub> 45°  
 UGR glare evaluation  
 C<sub>0</sub> 21.6  
 C<sub>90</sub> 13.5

**Technical data**

Luminous flux of the luminaire	1320lm
Connected load	19.0W
Luminaire efficacy	69lm/W
Colour deviation	1.5 SDCM
Colour rendition index	CRI 92
Lumen maintenance (LED manufacturer specifications)	L90/B10 ≤50000h L90 ≤100000h
LED failure rate	0.1% ≤50000h
Dimming range	--
Dimming method	--
LMF	E
Energy efficiency class	EEI A+
Standby power per control gear	--
Luminaires per circuit breaker B16	30

For your regional contact in the ERCO  
 Sales network click here  
[www.erco.com/contact](http://www.erco.com/contact)

Technical Region:  
 220V-240V/50Hz-60Hz  
 We reserve the right to make technical and design changes.  
 Edition: 30.01.2020  
 Current version under  
[www.erco.com/83303.000](http://www.erco.com/83303.000)

## Planning data

83303.000 LED 16W 1680lm 3000K warm white  
 Connected load P: 19 W  
 Connected load per 100lx P\*: 1.3 W/m<sup>2</sup>  
 Number of luminaires per 100lx n\*: 6.9 1/100m<sup>2</sup>

83303.000 LED 16W 1680lm 3000K warm white  
 Number of luminaires per 100m<sup>2</sup> for  
 100lx 200lx 300lx 500lx  
 7 14 21 35

83303.000 LED 16W 1680lm 3000K warm white  
 Module (m) 1.2x1.8 1.8x1.8 1.8x2.4 2.4x2.4  
 Illuminance E<sub>n</sub> (lx) for module (m) 671 447 336 252

### Correction table

Ceiling	0.70	0.70	0.70	0.50	0
Wall	0.70	0.50	0.20	0.20	0
Floor	0.50	0.20	0.20	0.10	0

k	0.6	86	64	68	62	58
k	1.0	98	78	81	74	70
k	1.5	106	90	90	84	79
k	2.5	112	100	97	90	84
k	3.0	114	103	99	92	86

Cleaning (a)	1				2				3			
	P	C	N	D	P	C	N	D	P	C	N	D
Ambient conditions												
LMF	0.96	0.94	0.90	0.86	0.93	0.91	0.86	0.81	0.92	0.90	0.84	0.79
RSMF	0.97	0.95	0.91	0.86	0.97	0.94	0.90	0.86	0.97	0.94	0.90	0.86

Hours of operation (h)	1000	5000	10000	20000	30000	40000	50000
LLMF	1.00	0.99	0.98	0.96	0.94	0.92	0.90
LSF	1	1	1	1	1	1	1

MF LMFxRSMFxLLMFxLSF  
 MF Maintenance Factor  
 LMF Luminaire Maintenance Factor  
 RSMF Room Surface Maintenance Factor  
 LLMF Lamp Lumens Maintenance Factor  
 LSF Lamp Survival Factor  
 P Room pure  
 C Room clean  
 N Room normal  
 D Room dirty

### Technical data in accordance with international norms and standards

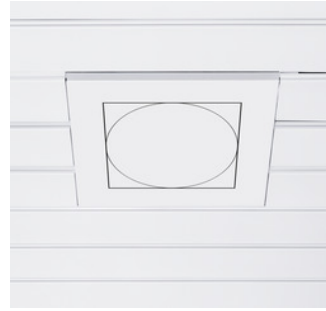
IEC 60598 Luminaires – Part 1+2: general requirements, specific requirements and tests  
 IEC 62031 LED modules for general lighting – safety requirements  
 IEC 62471 Photobiological safety of lamps and lamp systems  
 EN13032-4 Light and lighting – measurement and representation of photometric data  
 CIE 13 Method of measuring and specifying colour rendering properties of light sources

All technical data is subject to industrially standard tolerances.  
 Also see [www.erco.com/erco-led](http://www.erco.com/erco-led)

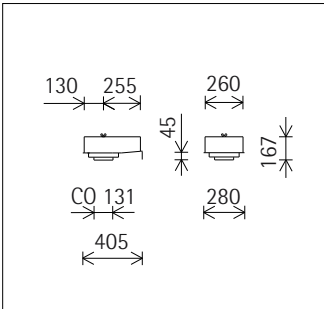
## Accessories



**83738.000**  
Concrete housing  
Stainless steel, galvanised/powder-coated.  
Recommended 0-8mm aggregate for the concrete.  
Weight 4.35kg



**82950.000**  
Mounting plate for panelled ceilings  
Metal, white (RAL9002) powder-coated.  
Individual design of mounting plates according to ceiling type and luminaire.  
Quote ceiling type and dimensions.



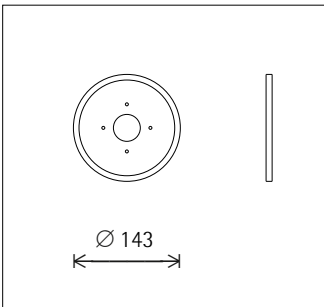
**88290.000**  
Compensation set  
For oversize ceiling cut-out.  
Lock ring: Sheet steel, galvanised.  
Mounting for ceiling thickness of min. 10mm.  
Cover ring: Metal, white.  
when ordering, please state the diameter of the existing ceiling cutout and the diameter of the luminaire.



**83595.000**  
Spacer plate  
Aluminium.  
For flush-mounting of downlights in concrete housings in exposed concrete ceilings.  
Weight 0.07kg



**83980.000**  
Cover ring  
Metal, white. For covering the gap where ceiling cut-outs are too big.  
Inner and outer diameter to be specified when placing order.



**82936.000**  
Mounting ring  
For flush mounting of luminaires with ceiling aperture  $\varnothing 131$ mm.  
Polymer, white (RAL9002). Mounting for ceiling thicknesses of 12.5-25mm.  
The recess depth of the luminaire increases by 2mm.  
Weight 0.10kg

