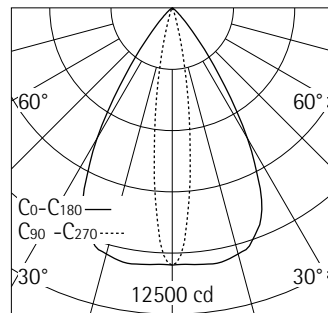


34662.000 Graphit m
LED 48W 5040lm 3000K warm white
DALI-2
Version 4
Spherolit lens, oval flood

Protection mode IP65: dust-proof and water jet-proof.
Weight 6.51kg
Housing temperature 51°C
Maximum wind load area 0.07m²
Version with 3000K CRI 97 or 2700K, 3500K, 4000K CRI 92 available on request.

Product description

Housing, hinge and mounting plate: corrosion-resistant cast aluminium, No-Rinse surface treatment. Double powder-coated. Optimised surface for reduced accumulation of dirt. Hinge with internal wiring, 90° tilt. Graduated disc: corrosion-resistant aluminium. Mounting plate rotatable through 300°. 2 DALI control units each with one DALI address. 2 cable entries. Through-wiring possible. 5-pole terminal block. LED module: high-power LEDs on metal-core PCB. Collimating lens made of optical polymer. Lens rotatable through 360°. Light head with safety glass: corrosion-resistant cast aluminium, double powder-coated. Internal anti-glare cone, polymer, black lacquered.



| h(m) | E(lx) | D(m) | |
|------|-------|------|------|
| | | C0 | C90 |
| | | 63° | 16° |
| 1 | 10493 | 1.23 | 0.28 |
| 2 | 2623 | 2.45 | 0.56 |
| 3 | 1166 | 3.68 | 0.84 |
| 4 | 656 | 4.90 | 1.12 |
| 5 | 420 | 6.13 | 1.41 |

Technical data

| | |
|---|---------------------------------|
| Luminous flux of the luminaire | 3723lm |
| Connected load | 55.0W |
| Luminaire efficacy | 68lm/W |
| Colour deviation | 1.5 SDCM |
| Colour rendition index | CRI 92 |
| Lumen maintenance (LED manufacturer specifications) | L90/B10 ≤50000h L90 ≤100000h |
| LED failure rate | 0.1% ≤50000h |
| Dimming range | 1%-100% |
| Dimming method | CCR |
| LMF | E |
| Energy efficiency class | EEI A+ |
| Standby power per control gear | -- |
| Luminaires per circuit breaker B16 | 17 |
| Temperature on the light aperture | 34°C |

For your regional contact in the ERCO
Sales network click here
www.erco.com/contact

Technical Region: 220-240V 50/60Hz
We reserve the right to make technical and design changes.
Edition: 21.12.2020
Current version under
www.erco.com/34662.000

Planning data

| Cleaning (a) | 1 | | | | 2 | | | | 3 | | | |
|--------------|------|------|------|------|------|------|------|------|------|------|------|------|
| | P | C | N | D | P | C | N | D | P | C | N | D |
| LMF | 0.96 | 0.94 | 0.90 | 0.86 | 0.93 | 0.91 | 0.86 | 0.81 | 0.92 | 0.90 | 0.84 | 0.79 |
| RSMF | 0.99 | 0.97 | 0.95 | 0.92 | 0.98 | 0.97 | 0.95 | 0.92 | 0.98 | 0.97 | 0.95 | 0.92 |

| Hours of operation (h) | 1000 | 5000 | 10000 | 20000 | 30000 | 40000 | 50000 |
|------------------------|------|------|-------|-------|-------|-------|-------|
| LLMF | 1.00 | 0.99 | 0.98 | 0.96 | 0.94 | 0.92 | 0.90 |
| LSF | 1 | 1 | 1 | 1 | 1 | 1 | 1 |

- MF LMFxRSMFxLLMFxLSF
- MF Maintenance Factor
- LMF Luminaire Maintenance Factor
- RSMF Room Surface Maintenance Factor
- LLMF Lamp Lumens Maintenance Factor
- LSF Lamp Survival Factor
- P Room pure
- C Room clean
- N Room normal
- D Room dirty

Technical data in accordance with international norms and standards

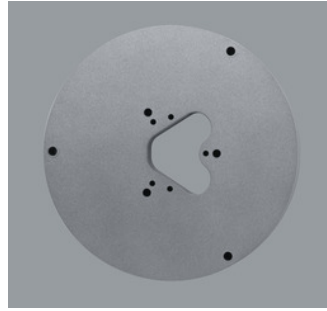
- IEC 60598 Luminaires – Part 1+2: general requirements, specific requirements and tests
- IEC 62031 LED modules for general lighting – safety requirements
- IEC 62471 Photobiological safety of lamps and lamp systems
- EN 13032-4 Light and lighting – measurement and representation of photometric data
- CIE 13 Method of measuring and specifying colour rendering properties of light sources

All technical data is subject to industrially standard tolerances.
 Also see www.erco.com/erco-led

Accessories



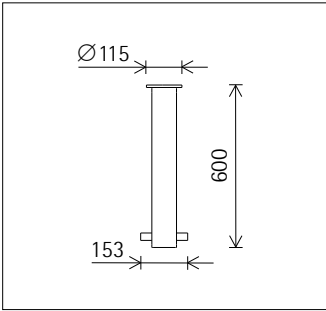
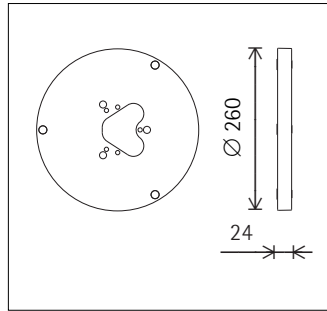
34974.000
Distribution box, IP68
With four cable entries, 7-25mm.
Polymer.
ø 102mm, L 305mm.
Weight 0.47kg
CE IP 68 3m



33982.000
Mounting plate
Corrosion-resistant cast aluminium,
No-Rinse surface treatment. Graphit m,
double powder-coated.
Weight 1.70kg



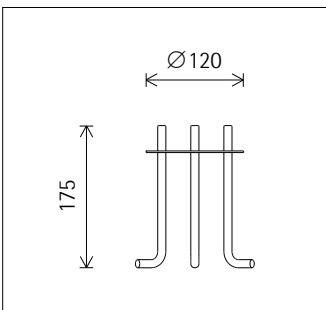
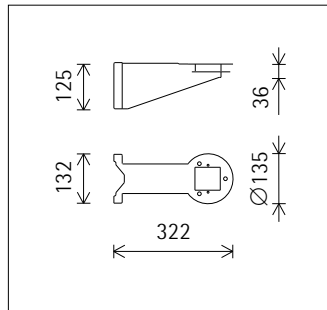
33974.000
Ground socket
Metal, hot-dip galvanised.
Weight 2.90kg



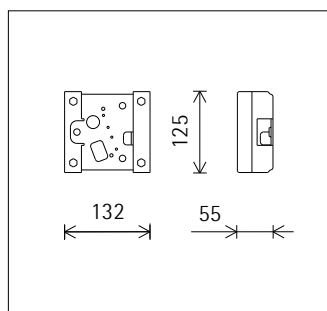
34955.000
Cantilever arm
for standing luminaire installation on
upright supporting pole ø 60-89mm or
wall.
Housing: stainless steel. Graphit m,
powder-coated.
Clamping plate or second cantilever
arm for fixing on upright supporting
pole to be ordered separately.
Upright supporting pole ø 60-89mm to
be ordered separately.
Weight 2.20kg



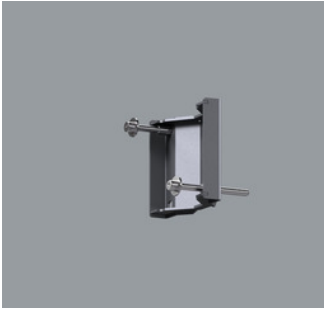
33981.000
Concrete anchor
Mounting plate with threaded bar and
fixing nuts M10. Individual parts to be
assembled on-site.
Weight 0.76kg



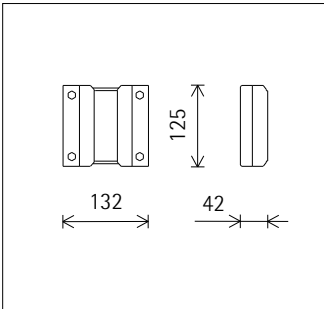
34953.000
Attachment
for upright supporting pole
ø 60-89mm.
Housing: stainless steel. Graphit m,
powder-coated.
Clamping plate or second attachment
for fixing to be ordered separately.
Upright supporting pole ø 60-89mm to
be ordered separately.
Weight 1.00kg



Accessories



34954.000
 Clamping plate
 for fixing cantilever arm or attachment
 on upright supporting pole \varnothing 60–
 89mm.
 Housing: stainless steel. Graphit m,
 powder-coated.
 Cantilever arm or attachment to be
 ordered separately.
 Weight 0.80kg
 Only in conjunction with
 34953.000
 34955.000



34991.000
 Spacer
 for surface-mounted cables.
 Corrosion-resistant cast aluminium,
 No-Rinse surface treatment. Graphit m,
 double powder-coated.
 Weight 0.23kg

