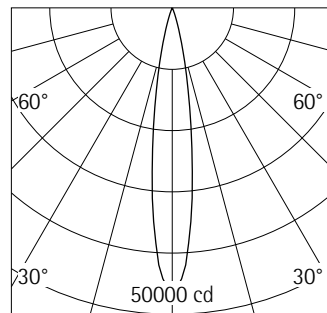


34657.000 Graphit m
 LED 48W 6600lm 4000K neutral white
 DALI-2
 Version 4
 Spherolit lens, spot

Protection mode IP65: dust-proof and water jet-proof.
 Weight 6.51kg
 Housing temperature 51°C
 Maximum wind load area 0.07m²
 Version with 3000K CRI 97 or 2700K, 3500K, 4000K CRI 92 available on request.

Product description

Housing, hinge and mounting plate: corrosion-resistant cast aluminium, No-Rinse surface treatment. Double powder-coated. Optimised surface for reduced accumulation of dirt. Hinge with internal wiring, 90° tilt. Graduated disc: corrosion-resistant aluminium. Mounting plate rotatable through 300°. 2 DALI control units each with one DALI address. 2 cable entries. Through-wiring possible. 5-pole terminal block. LED module: high-power LEDs on metal-core PCB. Collimating lens made of optical polymer. Light head with safety glass: corrosion-resistant cast aluminium, double powder-coated. Internal anti-glare cone, polymer, black lacquered. Cut-off angle 30°.



h(m)	E(lx)	D(m)
		16°
2	11537	0.56
4	2884	1.12
6	1282	1.69
8	721	2.25
10	461	2.81

Technical data

Luminous flux of the luminaire	4896lm
Connected load	55.0W
Luminaire efficacy	89lm/W
Colour deviation	1.5 SDCM
Colour rendition index	CRI 82
Lumen maintenance (LED manufacturer specifications)	L90/B10 ≤50000h L90 ≤100000h
LED failure rate	0.1% ≤50000h
Dimming range	1%-100%
Dimming method	CCR
LMF	E
Energy efficiency class	EEI A++
Standby power per control gear	--
Luminaires per circuit breaker B16	17
Temperature on the light aperture	34°C

For your regional contact in the ERCO
 Sales network click here
www.erco.com/contact

Technical Region: 220-240V 50/60Hz
 We reserve the right to make technical and design changes.
 Edition: 13.10.2020
 Current version under
www.erco.com/34657.000

Planning data

Cleaning (a)	1				2				3			
	P	C	N	D	P	C	N	D	P	C	N	D
LMF	0.96	0.94	0.90	0.86	0.93	0.91	0.86	0.81	0.92	0.90	0.84	0.79
RSMF	0.99	0.97	0.95	0.92	0.98	0.97	0.95	0.92	0.98	0.97	0.95	0.92

Hours of operation (h)	1000	5000	10000	20000	30000	40000	50000
LLMF	1.00	0.99	0.98	0.96	0.94	0.92	0.90
LSF	1	1	1	1	1	1	1

- MF LMFxRSMFxLLMFxLSF
- MF Maintenance Factor
- LMF Luminaire Maintenance Factor
- RSMF Room Surface Maintenance Factor
- LLMF Lamp Lumens Maintenance Factor
- LSF Lamp Survival Factor
- P Room pure
- C Room clean
- N Room normal
- D Room dirty

Technical data in accordance with international norms and standards

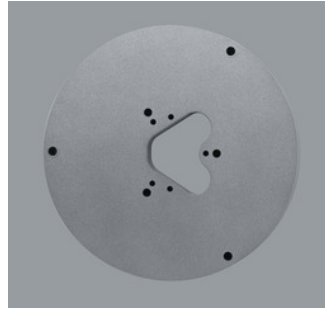
- IEC 60598 Luminaires – Part 1+2: general requirements, specific requirements and tests
- IEC 62031 LED modules for general lighting – safety requirements
- IEC 62471 Photobiological safety of lamps and lamp systems
- EN 13032-4 Light and lighting – measurement and representation of photometric data
- CIE 13 Method of measuring and specifying colour rendering properties of light sources

All technical data is subject to industrially standard tolerances.
 Also see www.erco.com/erco-led

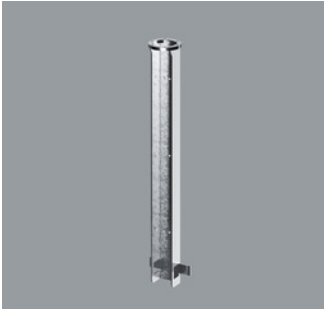
Accessories



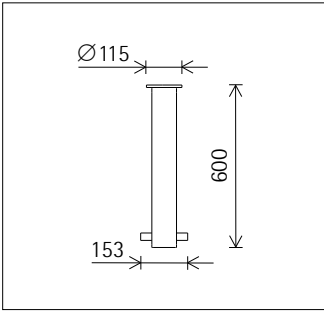
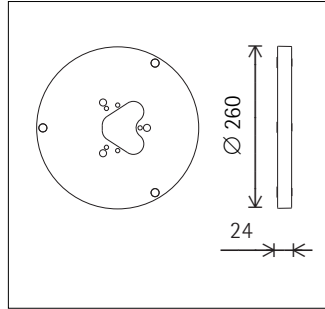
34974.000
Distribution box, IP68
With four cable entries, 7-25mm.
Polymer.
ø 102mm, L 305mm.
Weight 0.47kg
CE IP 68 3m



33982.000
Mounting plate
Corrosion-resistant cast aluminium,
No-Rinse surface treatment. Graphit m,
double powder-coated.
Weight 1.70kg



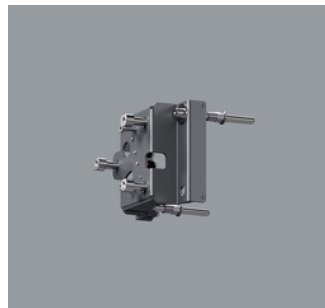
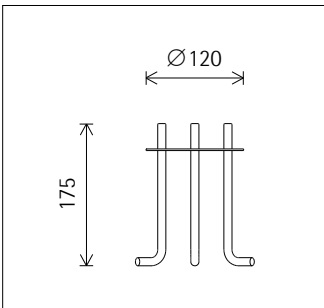
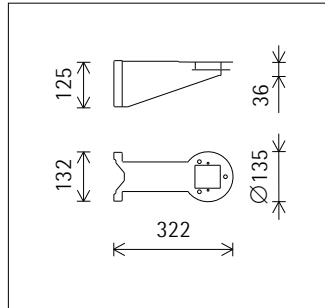
33974.000
Ground socket
Metal, hot-dip galvanised.
Weight 2.90kg



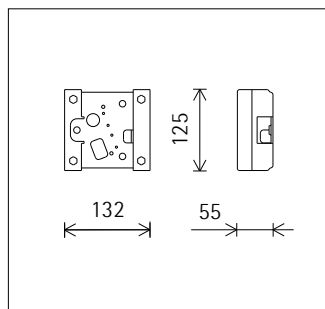
34955.000
Cantilever arm
for standing luminaire installation on
upright supporting pole ø 60-89mm or
wall.
Housing: stainless steel. Graphit m,
powder-coated.
Clamping plate or second cantilever
arm for fixing on upright supporting
pole to be ordered separately.
Upright supporting pole ø 60-89mm to
be ordered separately.
Weight 2.20kg



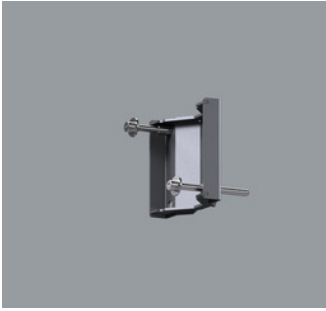
33981.000
Concrete anchor
Mounting plate with threaded bar and
fixing nuts M10. Individual parts to be
assembled on-site.
Weight 0.76kg



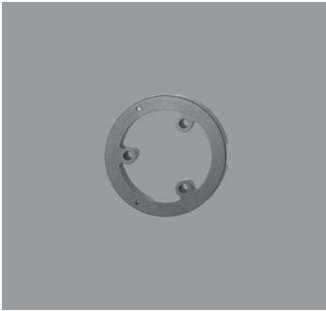
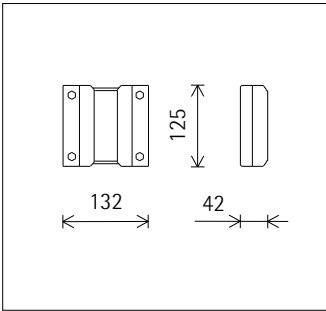
34953.000
Attachment
for upright supporting pole
ø 60-89mm.
Housing: stainless steel. Graphit m,
powder-coated.
Clamping plate or second attachment
for fixing to be ordered separately.
Upright supporting pole ø 60-89mm to
be ordered separately.
Weight 1.00kg



Accessories



34954.000
 Clamping plate
 for fixing cantilever arm or attachment
 on upright supporting pole \varnothing 60–
 89mm.
 Housing: stainless steel. Graphit m,
 powder-coated.
 Cantilever arm or attachment to be
 ordered separately.
 Weight 0.80kg
 Only in conjunction with
 34953.000
 34955.000



34991.000
 Spacer
 for surface-mounted cables.
 Corrosion-resistant cast aluminium,
 No-Rinse surface treatment. Graphit m,
 double powder-coated.
 Weight 0.23kg

