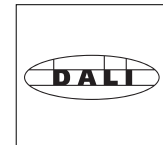
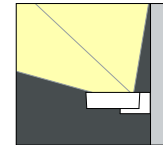
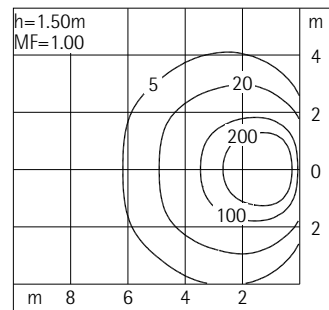
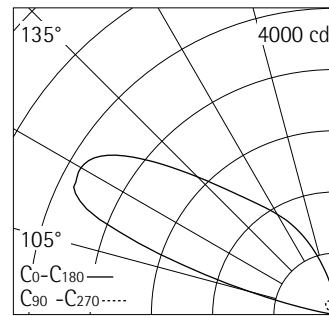


LED



34384.000 Graphit m
LED 48W 6600lm 4000K neutral white
DALI-2
Version 4
Spherolit lens, wide beam

Product description
Housing and wall fixture: corrosion-resistant cast aluminium, No-Rinse surface treatment. Double powder-coated. Optimised surface for reduced accumulation of dirt. Tamper-proof screw.
2 DALI control units each with one DALI address. 2 cable entries. Through-wiring possible. 5-pole terminal block.
LED module: high-power LEDs on metal-core PCB. Collimating lens made of optical polymer.
Screw-fastened cover frame with safety glass: cast aluminium, black powder-coated.
Protection mode IP65: dust-proof and water jet-proof.
Weight 8.20kg
Housing temperature 40°C
Maximum wind load area 0.1m²
Version with 3000K CRI 97 or 2700K, 3500K, 4000K CRI 92 available on request.



Technical data

Luminous flux of the luminaire	3269lm
Connected load	55.0W
Luminaire efficacy	59lm/W
Colour deviation	1.5 SDCM
Colour rendition index	CRI 82
Lumen maintenance (LED manufacturer specifications)	L90/B10 ≤50000h L90 ≤100000h
LED failure rate	0.1% ≤50000h
Dimming range	1%-100%
Dimming method	CCR
LMF	F
Energy efficiency class	EEI A++
Standby power per control gear	--
Luminaires per circuit breaker B16	17
Temperature on the light aperture	42°C

For your regional contact in the ERCO
Sales network click here
www.erco.com/contact

Technical Region: 220-240V 50/60Hz
We reserve the right to make technical and design changes.
Edition: 21.12.2020
Current version under
www.erco.com/34384.000

Planning data

Cleaning (a)	1				2				3			
	P	C	N	D	P	C	N	D	P	C	N	D
LMF	0.93	0.86	0.81	0.74	0.88	0.77	0.66	0.57	0.85	0.70	0.55	0.45
RSMF	0.91	0.83	0.68	0.51	0.90	0.81	0.67	0.50	0.90	0.81	0.67	0.50

Hours of operation (h)	1000	5000	10000	20000	30000	40000	50000
LLMF	1.00	0.99	0.98	0.96	0.94	0.92	0.90
LSF	1	1	1	1	1	1	1

MF	LMFxRSMFxLLMFxLSF
MF	Maintenance Factor
LMF	Luminaire Maintenance Factor
RSMF	Room Surface Maintenance Factor
LLMF	Lamp Lumens Maintenance Factor
LSF	Lamp Survival Factor
P	Room pure
C	Room clean
N	Room normal
D	Room dirty

Technical data in accordance with international norms and standards

IEC 60598	Luminaires – Part 1+2: general requirements, specific requirements and tests
IEC 62031	LED modules for general lighting – safety requirements
IEC 62471	Photobiological safety of lamps and lamp systems
EN 13032-4	Light and lighting – measurement and representation of photometric data
CIE 13	Method of measuring and specifying colour rendering properties of light sources

All technical data is subject to industrially standard tolerances.
Also see www.erco.com/erco-led