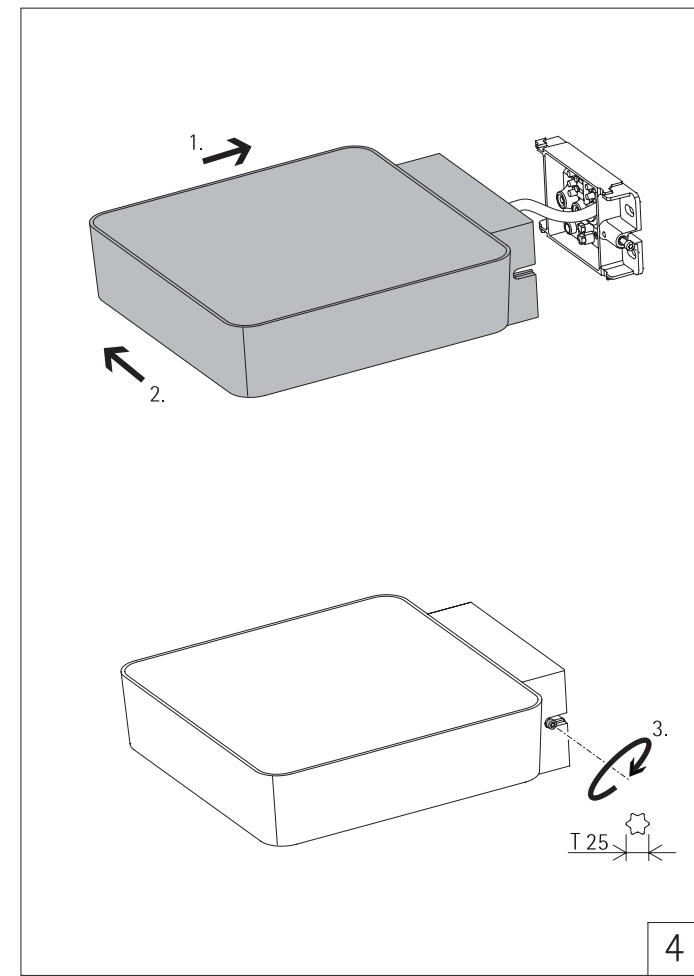
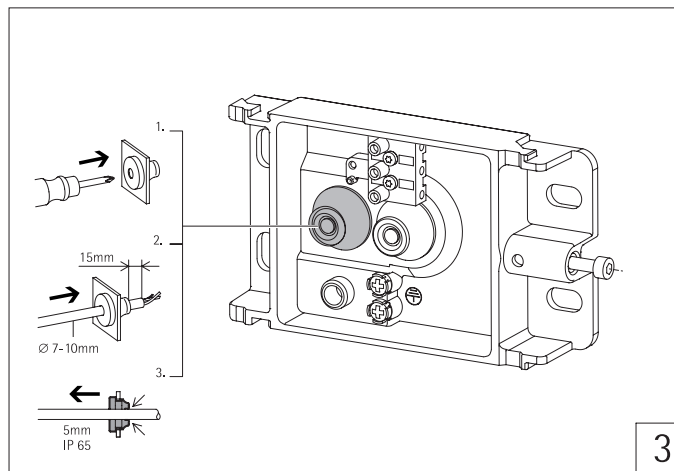
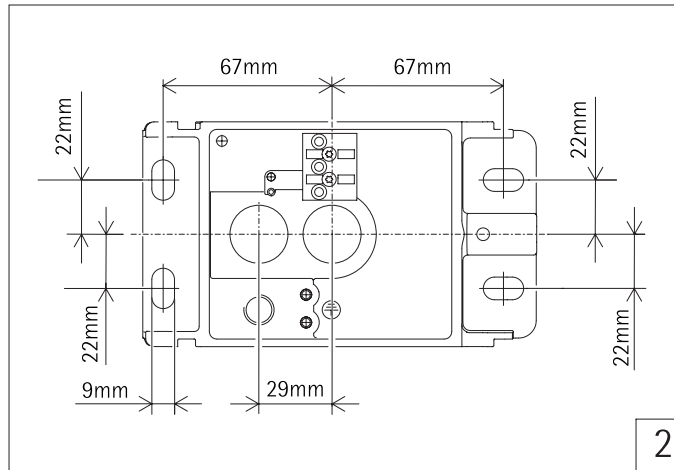
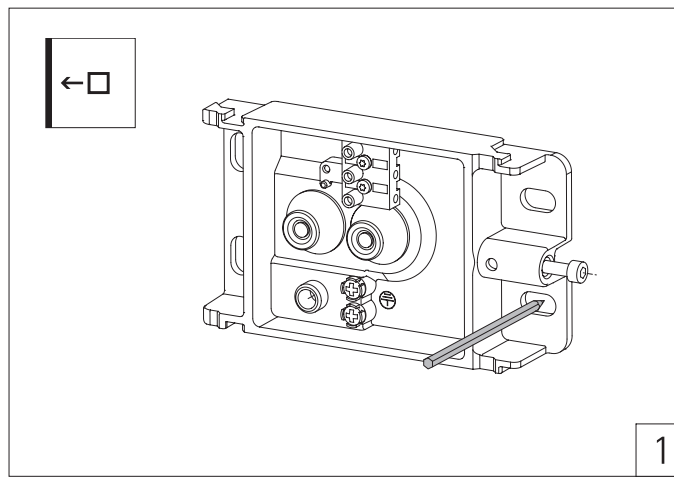


## Lightscan Ceiling washlight

### Mounting instructions



D (mm)	A (m <sup>2</sup> )	W (kg)
250x299x99	0.07	6.40
300x349x99	0.10	8.20
350x399x99	0.13	10.00

5

## English



Read the instructions carefully before installation and commissioning!



Leave the instructions for users/customers for future reference!



Our updated product documentation can be accessed at [www.erco.com/download](http://www.erco.com/download).

### General safety information



**Warning!**  
**Risk of electric shock!**

Before carrying out maintenance and installation on the luminaire, disconnect from the mains supply and also from any other DALI control wiring, and ensure that all power is switched off.

#### Attention!

- Do not open the luminaire head. In case of damage or a defective LED module, the entire luminaire must be returned to the factory.
- Do not operate luminaires with damaged or missing safety glass.
- When installing, always observe the national installation and accident prevention regulations.

### Intended use

The luminaire is suitable for outdoor and indoor use and is approved for a height of light source exceeding 15m. Dimensions (D), max. reference plane for wind loads (A) and weight (W) are detailed in Fig. 5.

### Choosing the mounting location

Position the luminaire so as to avoid operation in direct sunlight or near other sources of heat. High ambient temperatures can reduce the life and efficiency of the control gear or LED module.

### Electrical installation

For 3-circuit installation: to avoid any damage to the control gear, the neutral conductor must never be connected or disconnected during operation.

#### Overvoltage protection

ERCO uses electronic control gear with overvoltage protection in accordance with DIN EN 61547. If additional protection from spikes is required, e.g. when switching off inductive loads, separate overvoltage protection units should be installed.

### Luminaire with DALI control gear

- All cables, materials and devices used must be suitable for mains voltage, as the DALI signal is not transmitted using safety extra low voltage (SELV).
- For general information on DALI, please go to: [www.dali-ag.org](http://www.dali-ag.org).

### Notes on corrosion protection

Ensure that the powder coating is not damaged during installation or maintenance work. Any damage, which becomes wet, can result in corrosion occurring. In aggressive environments, the installation and maintenance of all parts will require the appropriate protective measures. Chemicals damage the corrosion protection.

### Mounting

1. Detach the mounting plate from the luminaire. Remove the connector between luminaire and mounting plate.
2. Drill fixing holes (Fig. 1/2).
3. Insert the connection cable into the mounting plate. Refer to Fig. 3.
4. Attach the mounting plate diagonally using 2 heavy load rawl bolts M8 according to the manufacturer's instructions. Attention! Always select fittings in compliance with the national regulations and standards applicable to the installation site. Ensure suitable corrosion resistance as required for the environment.
5. Make the electric connection. Connect the earth conductor to the mounting plate.
6. Reattach the connector.
7. Fit the luminaire to the mounting plate and push towards the fixing screw (Fig. 4). Tighten the fixing screw.

### Flashing of the LED module

It is normal for the LED module to flicker when switching on and off.

### Dimming

Depending on the model, the luminaire can be dimmed using a suitable dimmer (trailing edge) or via DALI.

#### Trailing-edge dimmers

Follow the manufacturer's installation instructions. For some products, the luminaire can only be switched on in the upper dimming range. Before installation and connection, check luminaire, control gear and dimmer combination for proper functioning of the dimmer, especially when using universal dimmers.

The use of dimmers which are unsuitable for LED drivers can damage the luminaire, control gear and/or the dimmer. No responsibility is accepted for the use of dimmers that are unsuitable for the luminaire.

### Cleaning

Always clean carefully using a soft cloth and a commercially available, ph-neutral, alcohol-free, non-abrasive cleaning agent.

Take care not to damage the powder-coating.

#### Cleaning the safety glass

Safety glass can be cleaned with cleaning agents that are also suitable for glass-ceramic cooking hobs.

### Disposal



In accordance with EU Directive WEEE (Waste Electrical and Electronic Equipment), luminaires must not be disposed of with other household waste. At the end of their life, luminaires must be taken to the appropriate local facility available for the disposal or recycling of electronic products.