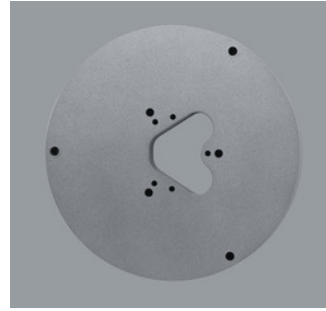


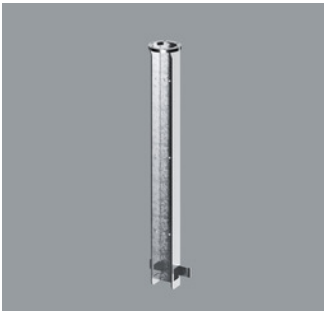
## Accessories



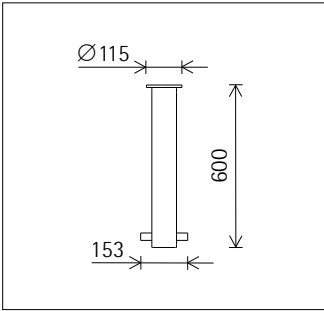
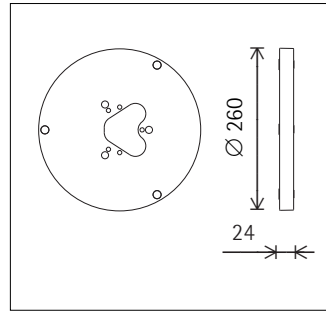
**34974.000**  
Distribution box, IP68  
With four cable entries, 7-25mm.  
Polymer.  
ø 102mm, L 305mm.  
Weight 0.47kg  
CE IP 68 3m



**33982.000**  
Mounting plate  
Corrosion-resistant cast aluminium,  
No-Rinse surface treatment. Graphit m,  
double powder-coated.  
Weight 1.70kg



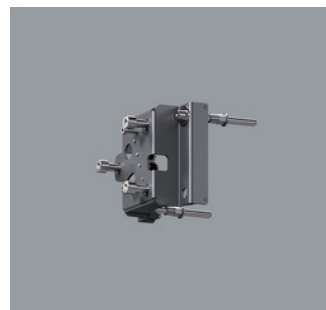
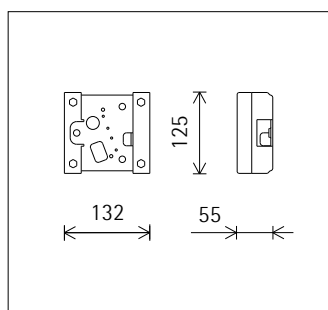
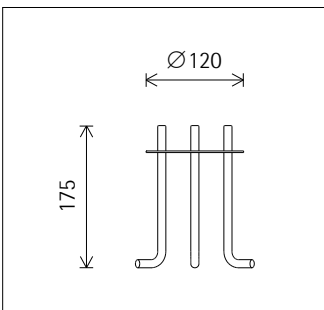
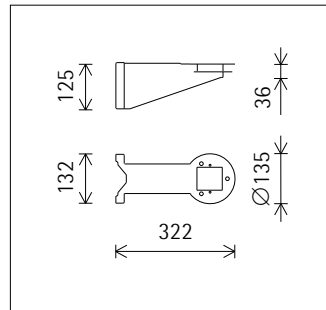
**33974.000**  
Ground socket  
Metal, hot-dip galvanised.  
Weight 2.90kg



**34955.000**  
Cantilever arm  
for standing luminaire installation on  
upright supporting pole ø 60-89mm or  
wall.  
Housing: stainless steel. Graphit m,  
powder-coated.  
Clamping plate or second cantilever  
arm for fixing on upright supporting  
pole to be ordered separately.  
Upright supporting pole ø 60-89mm to  
be ordered separately.  
Weight 2.20kg

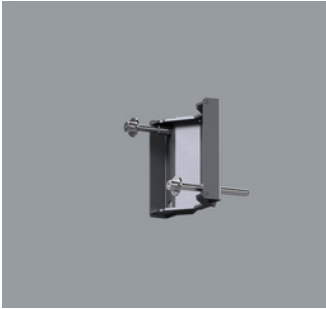


**33981.000**  
Concrete anchor  
Mounting plate with threaded bar and  
fixing nuts M10. Individual parts to be  
assembled on-site.  
Weight 0.76kg

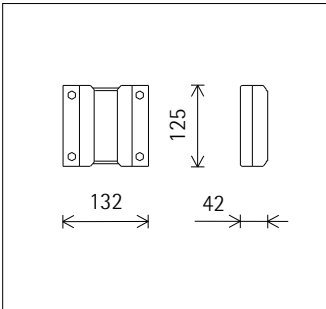


**34953.000**  
Attachment  
for upright supporting pole  
ø 60-89mm.  
Housing: stainless steel. Graphit m,  
powder-coated.  
Clamping plate or second attachment  
for fixing to be ordered separately.  
Upright supporting pole ø 60-89mm to  
be ordered separately.  
Weight 1.00kg

## Accessories



**34954.000**  
Clamping plate  
for fixing cantilever arm or attachment  
on upright supporting pole  $\varnothing$  60–  
89mm.  
Housing: stainless steel. Graphit m,  
powder-coated.  
Cantilever arm or attachment to be  
ordered separately.  
Weight 0.80kg  
Only in conjunction with  
34953.000  
34955.000



**34991.000**  
Spacer  
for surface-mounted cables.  
Corrosion-resistant cast aluminium,  
No-Rinse surface treatment. Graphit m,  
double powder-coated.  
Weight 0.23kg

