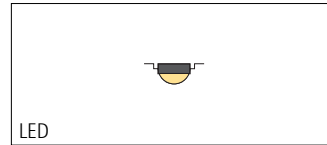
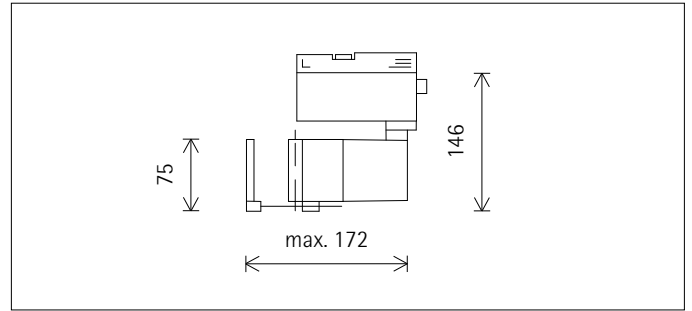
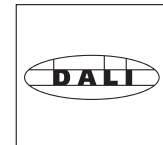
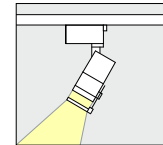


with DALI transadapter



LED



72358.000 White (RAL9002)
LED 6W 630lm 3000K warm white
DALI-2
Version 5

Product description
Housing and bracket: cast aluminium, powder-coated. 0°-90° tilt. Bracket on DALI transadapter rotatable through 360°. Internal wiring.
DALI transadapter for ERCO DALI 220-240V track: polymer, white. ERCO DALI control gear.
LED module: high-power LEDs on metal-core PCB.
Contour attachment with framing attachment: polymer, black, rotatable through 360°. Fresnel lens.
Holder with projection lens, continuously focusable.
Protection Class II
Weight 0.52kg

Technical data

Luminous flux of the luminaire	237lm
Connected load	8.6W
Luminaire efficacy	28lm/W
Colour deviation	1.5 SDCM
Colour rendition index	CRI 92
Lumen maintenance (LED manufacturer specifications)	L90/B10 ≤50000h L90 ≤100000h
LED failure rate	0.1% ≤50000h
Dimming range	0.1%-100%
Dimming method	CCR
LMF	C
Energy efficiency class	EEI A+
Standby power per control gear	0.4W
Luminaires per circuit breaker B16	260



Mounting
ERCO DALI track
Hi-trac DALI track

For your regional contact in the ERCO
Sales network click here
www.erco.com/contact

Technical Region: 220-240V 50/60Hz
We reserve the right to make technical and design changes.
Edition: 21.12.2020
Current version under
www.erco.com/72358.000

Planning data

Cleaning (a)	1				2				3			
	P	C	N	D	P	C	N	D	P	C	N	D
LMF	0.94	0.89	0.81	0.75	0.91	0.80	0.69	0.59	0.87	0.74	0.61	0.52
RSMF	0.99	0.97	0.95	0.92	0.98	0.97	0.95	0.92	0.98	0.97	0.95	0.92

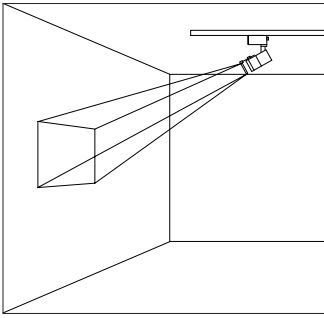
Hours of operation (h)	1000	5000	10000	20000	30000	40000	50000
LLMF	1.00	0.99	0.98	0.96	0.94	0.92	0.90
LSF	1	1	1	1	1	1	1

MF	LMFxRSMFxLLMFxLSF
MF	Maintenance Factor
LMF	Luminaire Maintenance Factor
RSMF	Room Surface Maintenance Factor
LLMF	Lamp Lumens Maintenance Factor
LSF	Lamp Survival Factor
P	Room pure
C	Room clean
N	Room normal
D	Room dirty

Technical data in accordance with international norms and standards

IEC 60598	Luminaires – Part 1+2: general requirements, specific requirements and tests
IEC 62031	LED modules for general lighting – safety requirements
IEC 62471	Photobiological safety of lamps and lamp systems
EN 13032-4	Light and lighting – measurement and representation of photometric data
CIE 13	Method of measuring and specifying colour rendering properties of light sources

All technical data is subject to industrially standard tolerances.
Also see www.erco.com/erco-led



Measured illuminance levels (new values) E (lx) and maximum edge length D (m) of square projection through framing attachment dependent on projection distance h (m)

Warm white 6W 630lm

h (m)	E (lx)	D (m)
1	1760	0.43
2	437	0.85
3	197	1.28
4	110	1.65
5	71	2.10