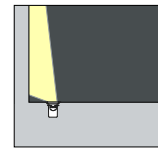
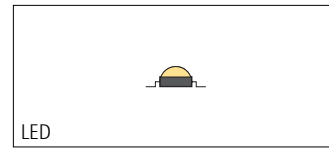
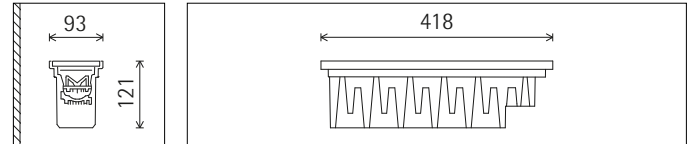
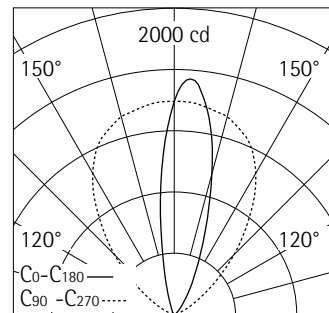


Grazing light wallwasher



32810.000
LED 24W 2520lm 3000K warm white
Switchable
Version 3

Product description
For mounting in accessories.
Housing: polymer, black.
Control gear. Longitudinally watertight cable 2x1.5mm², L 800mm.
LED module: high-power LEDs on metal-core PCB. Collimating lens made of optical polymer. ±10° tilt. Softec lens.
Frame: stainless steel. Safety glass: 10mm, clear.
Installation with separate connection sleeve.
Mounting in recessed housing: can be driven over by vehicles with pneumatic tyres. Load: 20kN.
Protection mode IP68 3m: protection against dust ingress, and continuous immersion up to 3m deep.
Protection Class II
Weight 3.15kg
Version with 3000K CRI 97 or 2700K, 3500K, 4000K CRI 92 available on request.



Technical data	
Luminous flux of the luminaire	1058lm
Connected load	26.0W
Luminaire efficacy	41lm/W
Colour deviation	1.5 SDCM
Colour rendition index	CRI 92
Lumen maintenance (LED manufacturer specifications)	L90/B10 ≤50000h L90 ≤100000h
LED failure rate	0.1% ≤50000h
Dimming range	--
Dimming method	--
LMF	E
Energy efficiency class	EEI A+
Standby power per control gear	--
Luminaires per circuit breaker B16	30
Temperature on the light aperture	52°C

For your regional contact in the ERCO
Sales network click here
www.erco.com/contact

Technical Region: 220-240V 50/60Hz
We reserve the right to make technical
and design changes.
Edition: 21.12.2020
Current version under
www.erco.com/32810.000

Planning data

Cleaning (a)	1				2				3			
	P	C	N	D	P	C	N	D	P	C	N	D
LMF	0.96	0.94	0.90	0.86	0.93	0.91	0.86	0.81	0.92	0.90	0.84	0.79
RSMF	0.99	0.97	0.95	0.92	0.98	0.97	0.95	0.92	0.98	0.97	0.95	0.92

Hours of operation (h)	1000	5000	10000	20000	30000	40000	50000
LLMF	1.00	0.99	0.98	0.96	0.94	0.92	0.90
LSF	1	1	1	1	1	1	1

- MF LMFxRSMFxLLMFxLSF
- MF Maintenance Factor
- LMF Luminaire Maintenance Factor
- RSMF Room Surface Maintenance Factor
- LLMF Lamp Lumens Maintenance Factor
- LSF Lamp Survival Factor
- P Room pure
- C Room clean
- N Room normal
- D Room dirty

Technical data in accordance with international norms and standards

- IEC 60598 Luminaires – Part 1+2: general requirements, specific requirements and tests
- IEC 62031 LED modules for general lighting – safety requirements
- IEC 62471 Photobiological safety of lamps and lamp systems
- EN 13032-4 Light and lighting – measurement and representation of photometric data
- CIE 13 Method of measuring and specifying colour rendering properties of light sources

All technical data is subject to industrially standard tolerances.
 Also see www.erco.com/erco-led

Accessories



33958.000
Coupling sleeve
for max. 16mm cable diameter.
Polymer conduit, two-part PUR-cast resin.
ø 26mm, L 180mm.



33959.000
Branching sleeve
for 8-23mm cable diameter.
Polymer shell, two-part PUR cast resin.
L 150mm, B 70mm, H 46mm.



33295.000
Recessed housing
Polymer, black.
4 cable entries.
Load: 20kN.
Weight 0.85kg

