

Notes and safety instructions

Luminaires for ERCO track

English

- The following safety instructions and information apply to luminaires with 3-circuit adapter, DALI adapter, transadapter and DALI transadapter.
- Follow all enclosed instructions during installation.



Read the instructions carefully before installation and commissioning!



Leave the instructions for users/customers for future reference!

General safety information

Warning!
Risk of electric shock!

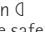
- Before carrying out maintenance and installation on the luminaire, disconnect from the mains supply and also from any other DALI control wiring, and ensure that all power is switched off.
- The luminaire is only approved for mounting in ERCO 220-240V track.
- If ERCO adapters are used with products manufactured by third parties, no liability can be accepted for the electrical safety and functionality of the combined system or for consequential damage resulting from the combination. The liability for defective ERCO adapters remains unaffected.

Caution!
Blue light hazard!



Position the luminaire marked with one of two adjacent pictograms so that extended gazing into the luminaire from a distance of less than x m is not expected. Find the value for x in the included graphic installation instructions.

Caution!
Risk of fire!

This sign  on the luminaire symbolises the safety distance between luminaire and directly illuminated object in beam direction. Failure to keep this safety distance may damage the object or cause fire.

Caution!
Risk of burns!



Luminaire with this pictogram in the attached graphic mounting instructions may reach surface temperatures of more than 60° and cause skin burns. This luminaire must be installed outside of the hand area.

Attention!

- The LED module of this luminaire may only be replaced or repaired by the manufacturer. If the LED module is damaged or fails, the complete luminaire must be sent back to the factory.
- Never operate luminaires with damaged connection cables. The connection cable may only be replaced by the manufacturer.

- When installing, always observe the national installation and accident prevention regulations.

Intended use

The luminaire is suitable for use in dry interiors only.

Restrictions

Luminaires with transadapters or DALI transadapters may not be installed in singlets.

Wall-mounting

If track is mounted horizontally, only luminaires weighing up to a maximum of 2kg may be used.
If vertically mounted, the guiding groove on the track profile must be facing to the right. Only use luminaires weighing up to a maximum of 3.5kg. For deviating restrictions, please refer to the enclosed graphic mounting instructions.

Choosing the mounting location

Position the luminaire so as to avoid operation in direct sunlight or near other sources of heat. High ambient temperatures can reduce the life and efficiency of the control gear or LED module.

Luminaires with radio control

Depending on the version, these luminaires can be controlled via Casambi Bluetooth or Zigbee.
Use the circuit selection switch to set the desired circuit.

- ERCO GmbH hereby declares that the track luminaires with Casambi Bluetooth or Zigbee control are compliant with Directive 2014/53/EU.

Radio operation takes place on the frequency bands 2402 - 2480MHz (Casambi Bluetooth, Zigbee) with a maximum transmission power of 4dBm (Casambi Bluetooth) or 10dBm (Zigbee).

The complete text of the EU declaration of conformity is available at the following internet addresses:

www.erco.com/casambi-ce

www.erco.com/zigbee-ce.

Luminaires with Casambi Bluetooth

- For control of the luminaire you need a Bluetooth 4.0-capable smartphone or tablet and the Casambi app for iOS or Android downloadable for free in the specific app stores.

- You can couple up to 250 luminaires in a Casambi mesh network. This number can be increased via several parallel networks.

- Because the switching signal in a mesh network is transferred from luminaire to luminaire, the spacing between two luminaires must not exceed 10m. This distance may be less according to the environment. For this reason you should check possible spacing between the luminaires prior to installation.

Luminaires with Zigbee

Precondition: Zigbee 3.0 suitable hub available.

- It is recommended to always check the combination of Zigbee devices and luminaires.

- Provided that mains voltage is permanently present, the luminaires in the Zigbee Mesh network can be used as routers.

- Depending on the Zigbee hardware, up to 240 devices are possible in one network.

- Several networks can be set up in parallel.

For further information see

www.zigbee.org

Initial installation of luminaire with Zigbee

1. Activate network and open it at the gateway via the software.

2. Insert luminaire in track and switch on power supply on the luminaire.

- Luminaire automatically connects to the network and acknowledges this by flashing once (sizes XS-M) or 10 times (sizes L and larger).

Note: Networks remain open for only a few minutes, repeat the opening procedure if necessary, and with sizes L and XL switch the power supply off and on again.

Removing luminaire with Zigbee from an existing network

If a luminaire is to be stored or used in another network, log it off from the current network before removing. For this purpose use a command in the current network, e.g. "Delete luminaire". If you have not logged off the luminaire you must reset it before further use. For information about this see: www.erco.com/zigbee

Luminaires with DALI

For general information on DALI, please go to:

www.digitalilluminationinterface.org.

Parscan Ø 188mm

To control the luminaire, the 2 addresses must be grouped.

Luminaires with RGBW / tunable white

Control via Casambi Bluetooth, Zigbee or DALI. A DALI system with colour management (device type 8) is required for control via DALI.

Colour compensation ensures the same light colour for all controlled luminaires with the same control values.

Electrical installation

For 3-circuit installation: to avoid any damage to the control gear, the neutral conductor must never be connected or disconnected during operation.

Overvoltage protection

ERCO uses electronic control gear with overvoltage protection in accordance with DIN EN 61547. If additional protec-

tion from spikes is required, e.g. when switching off inductive loads, separate overvoltage protection units should be installed.

Dimming

Depending on the version, the luminaire can be dimmed via suitable dimmers (trailing edge).

Trailing edge dimmers

Follow the manufacturer's installation instructions.

For some products, the luminaire can only be switched on in the upper dimming range. Before installation and connection, check luminaire, control gear and dimmer combination for proper functioning of the dimmer, especially when using universal dimmers.

The use of dimmers which are unsuitable for LED drivers can damage the luminaire, control gear and/or the dimmer. No responsibility is accepted for the use of dimmers that are unsuitable for the luminaire.

On-board Dim (potentiometer)

The luminous flux can be continuously dimmed with the rotary control on the luminaire, and (depending on the version) also with a trailing edge dimmer.

Rotate light distribution

Caution!
Danger from falling parts!

Lens Unit

When adjusting, turn the lens clockwise only. Turning anticlockwise releases the lens from the luminaire!

Spherolit lens

When loosening the lens holder make sure the Spherolit lens doesn't fall to the ground!

Luminaires with wallwash

By rotating the luminaires, walls or objects on both sides of the luminaire can be illuminated. Note that the lens must always be aligned as shown in the graphic mounting instructions for this purpose.


Flashing of the LED module

It is normal for the LED module to flicker when switching on and off.

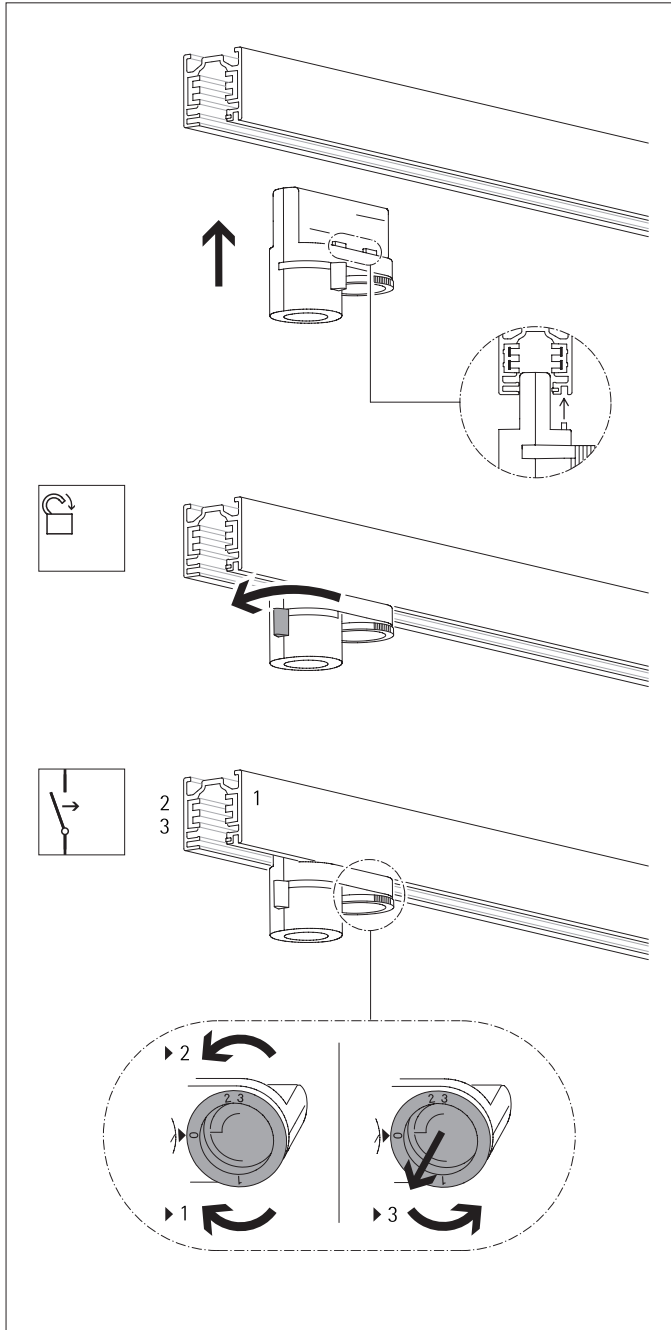
Cleaning

Always clean carefully using a soft cloth and a commercially available, pH-neutral, alcohol-free, non-abrasive cleaning agent.

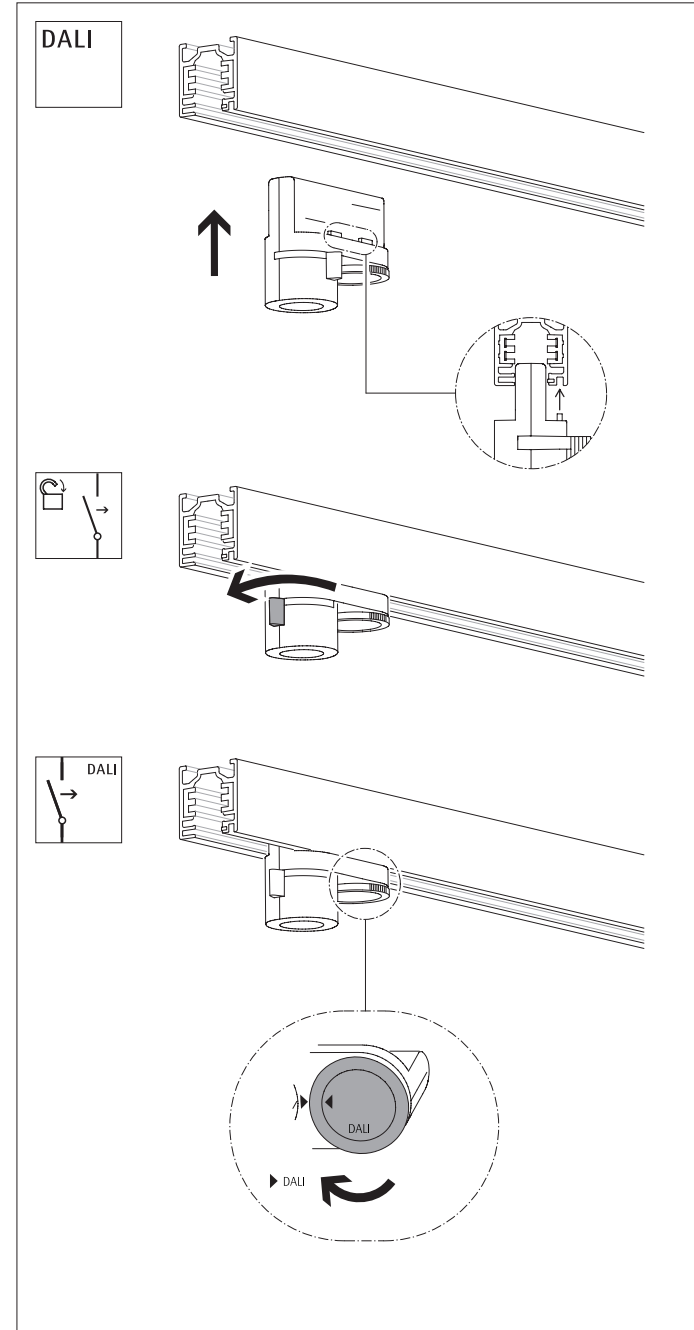
Disposal

 In accordance with EU Directive WEEE (Waste Electrical and Electronic Equipment), luminaires must not be disposed of with other household waste. At the end of their life, luminaires must be taken to the appropriate local facility available for the disposal or recycling of electronic products.

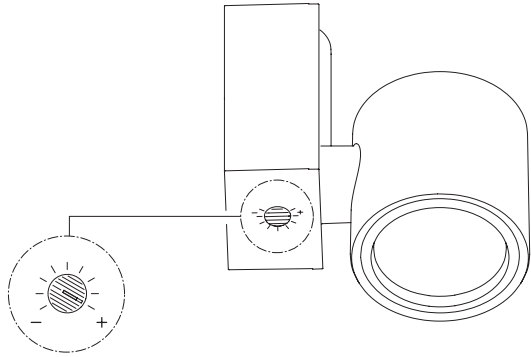
Spotlight, Zoom spotlight
Floodlight
Lens wallwasher
Contour spotlight



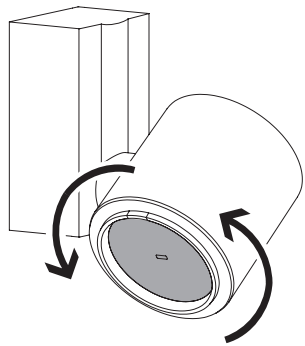
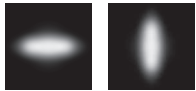
Spotlight, Zoom spotlight
Floodlight
Lens wallwasher
Contour spotlight



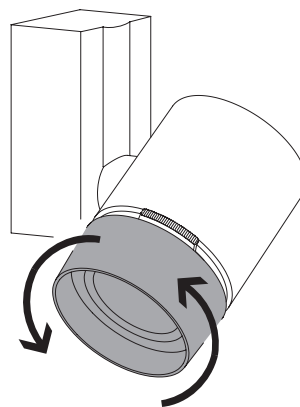
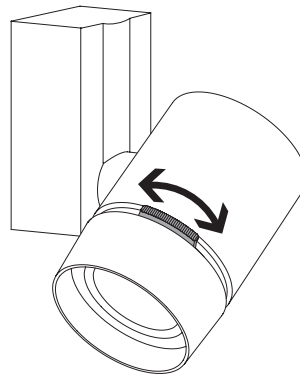
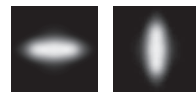
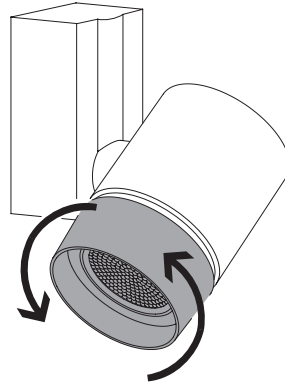
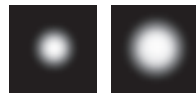
Spotlight, Zoom spotlight
Floodlight
Lens wallwasher
Contour spotlight



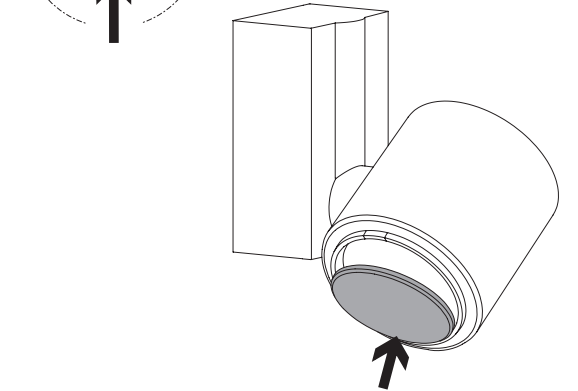
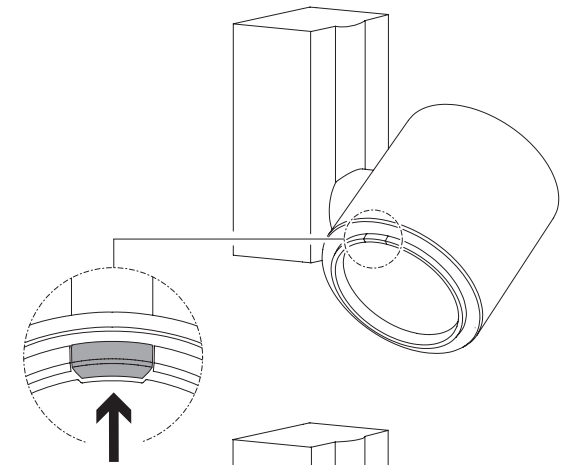
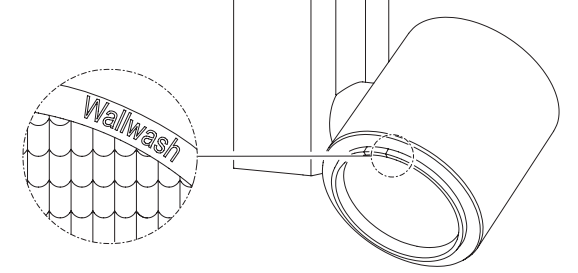
Floodlight



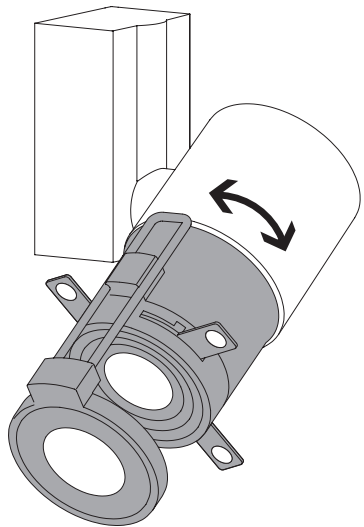
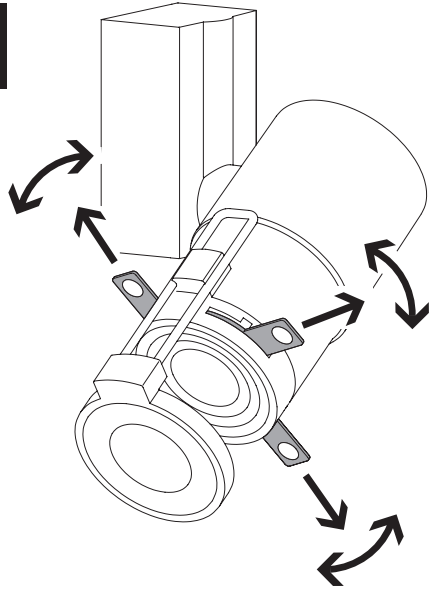
Zoom spotlight



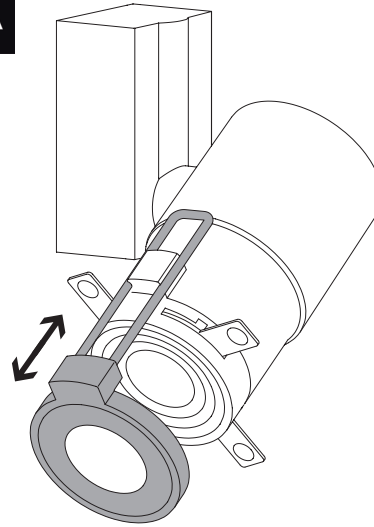
Lens wallwasher



Contour spotlight



Contour spotlight



19W, 21W, 36W or 38W luminaire



CAUTION



min. 1.50m

min. 2.50m

English

Follow the attached mounting instructions.