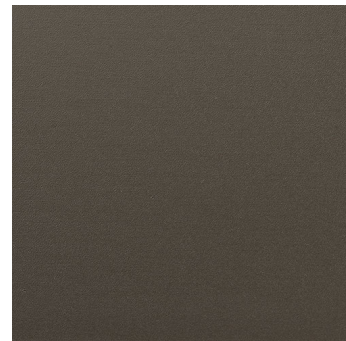
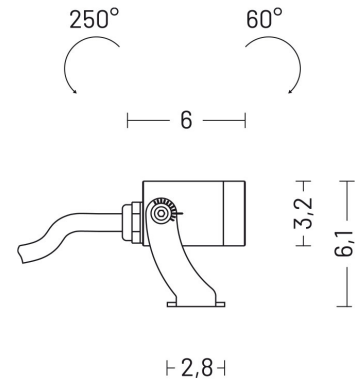


Lyras 45 | 2 W | spot 12° | Projectors

Technical Specifications

Source lamp	LED 2 W
Total wattage	2
Voltage	24 Vdc
Control	Power supply not included • dimmable on request
Luminous flux (*Source flux)	118 lm (160 lm*) @ 3000 K
Luminous efficacy	59 lm/W @ 3000 K
McADAM steps	3
Beam	spot 12°
CRI	>90
Life time	L 70 > 50.000 h Ta 25°C L 70 > 50.000 h Ta 40°C
IP rating	67
IK rating	8
Insulation class	III



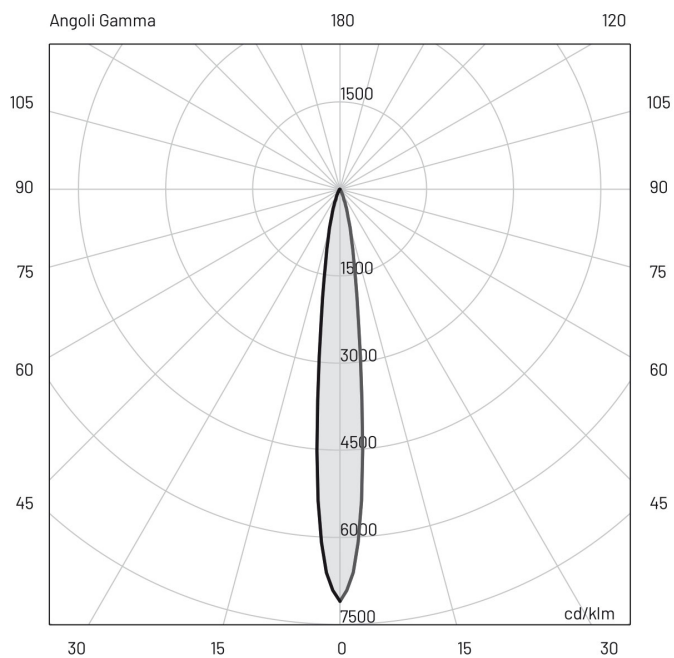
Materials

Body	Extruded aluminium EN AW6060
Diffuser	Extra clear tempered glass 6 mm
Finishing	Bronze - Anodized

E (lux)

H (m)	lux (3000 K)	lux (4000 K)	Ø (m)
1.00	1136	1136	0.2
2.00	284	284	0.4
3.00	126	126	0.6
4.00	71	71	0.9
5.00	45	45	1.1

Photometry



Included accessories

- 1 m length cable -05RN-F

Available accessories

00A469	Mounting spike
0404M009	Single connection IP68
0409BT016	Transformer _ 24 Vdc - 100 W Connect up to 30 devices
0409BT014	Transformer _ 24 Vdc - 12 W Connect up to 4 device
0409BT015	Transformer _ 24 Vdc - 25 W Connect up to 8 devices