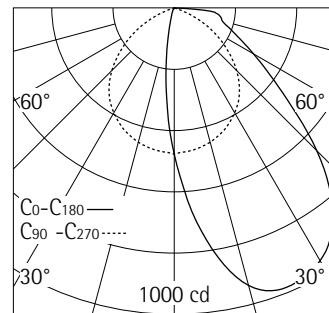


84078.000

LED 16W 1680lm 3000K warm white
Phase dimmable
Version 5
Size 4
Covered mounting detail
Lens system, wallwash

Product description

Housing: cast aluminium, designed as heat sink, with connection cable L 500mm. Fixing ring: polymer, black. Mounting ring: Polymer, white (RAL9002). Expanding spring fixing for ceiling thicknesses of 1-25mm. Includes ERCO control gear, dimmable. 2-pole terminal block.
LED module: high-power LEDs on metal-core PCB. Lens system made of optical polymer.
Wallwasher reflector: polymer, aluminium vaporised, silver, ribbed, with lower diffuser. Optical cut-off 40°. Dimming with external dimmers possible (trailing edge).
Approved for use as emergency lighting according to IEC / EN 60598-2-22.
Protection Class II
Weight 0.90kg



Technical data

Luminous flux of the luminaire	1205lm
Connected load	20.0W
Luminaire efficacy	60lm/W
Colour deviation	1.5 SDCM
Colour rendition index	CRI 92
Lumen maintenance (LED manufacturer specifications)	L90/B10 ≤50000h L90 ≤100000h
LED failure rate	0.1% ≤50000h
Dimming range	1%-100%
Dimming method	CCR_PWM
LMF	E
Energy efficiency class	EEI A+
Standby power per control gear	--
Luminaires per circuit breaker B16	152

For your regional contact in the ERCO
Sales network click here
www.erco.com/contact

Technical Region:
220V-240V/50Hz-60Hz
We reserve the right to make technical
and design changes.
Edition: 30.01.2020
Current version under
www.erco.com/84078.000

Planning data

Illuminance E_n (lx)

Specifications:

Number of luminaires $n > 5$

Wall height (m) 4.0

LED 16W 1680lm 3000K warm white

Offset from wall (m) Luminaire spacing (m)	1.50		1.50		1.80	
	below the luminaire	between the luminaires	below the luminaire	between the luminaires	below the luminaire	between the luminaires
0.500	94	86	83	68	61	56
0.750	118	111	103	89	73	68
1.000	144	136	124	109	88	83
1.250	163	154	141	126	102	97
1.500	176	165	151	135	113	107
1.750	174	166	149	137	122	113
2.000	163	159	139	133	122	116
2.250	148	146	126	123	117	114
2.500	131	131	112	111	110	108
2.750	116	115	99	98	101	100
3.000	102	101	87	87	91	91
3.250	89	88	77	76	82	82
3.500	78	77	68	67	74	73

Cleaning (a) Ambient conditions	1				2				3			
	P	C	N	D	P	C	N	D	P	C	N	D
LMF	0.96	0.94	0.90	0.86	0.93	0.91	0.86	0.81	0.92	0.90	0.84	0.79
RSMF	0.97	0.95	0.91	0.86	0.97	0.94	0.90	0.86	0.97	0.94	0.90	0.86

Hours of operation (h)	1000	5000	10000	20000	30000	40000	50000
LLMF	1.00	0.99	0.98	0.96	0.94	0.92	0.90
LSF	1	1	1	1	1	1	1

- MF LMFxRSMFxLLMFxLSF
- MF Maintenance Factor
- LMF Luminaire Maintenance Factor
- RSMF Room Surface Maintenance Factor
- LLMF Lamp Lumens Maintenance Factor
- LSF Lamp Survival Factor
- P Room pure
- C Room clean
- N Room normal
- D Room dirty

Technical data in accordance with international norms and standards

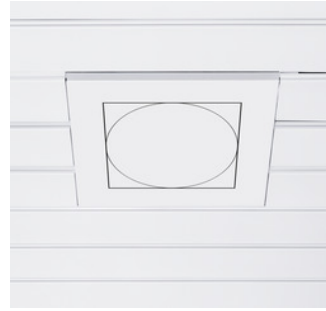
- IEC 60598 Luminaires – Part 1+2: general requirements, specific requirements and tests
- IEC 62031 LED modules for general lighting – safety requirements
- IEC 62471 Photobiological safety of lamps and lamp systems
- EN 13032-4 Light and lighting – measurement and representation of photometric data
- CIE 13 Method of measuring and specifying colour rendering properties of light sources

All technical data is subject to industrially standard tolerances.
Also see www.ercos.com/ercos-led

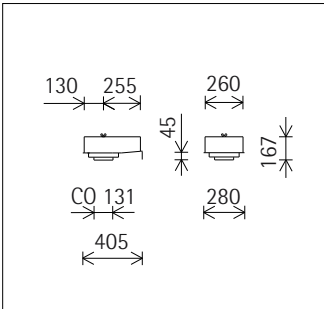
Accessories



83738.000
 Concrete housing
 Stainless steel, galvanised/powder-coated.
 Recommended 0-8mm aggregate for the concrete.
 Weight 4.35kg



82950.000
 Mounting plate for panelled ceilings
 Metal, white (RAL9002) powder-coated.
 Individual design of mounting plates according to ceiling type and luminaire.
 Quote ceiling type and dimensions.



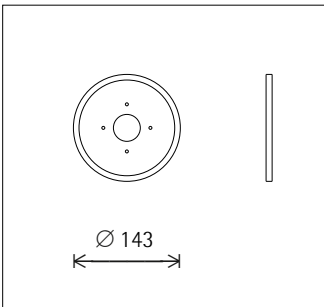
88290.000
 Compensation set
 For oversize ceiling cut-out.
 Lock ring: Sheet steel, galvanised.
 Mounting for ceiling thickness of min. 10mm.
 Cover ring: Metal, white.
 when ordering, please state the diameter of the existing ceiling cutout and the diameter of the luminaire.



83595.000
 Spacer plate
 Aluminium.
 For flush-mounting of downlights in concrete housings in exposed concrete ceilings.
 Weight 0.07kg



83980.000
 Cover ring
 Metal, white. For covering the gap where ceiling cut-outs are too big.
 Inner and outer diameter to be specified when placing order.



82936.000
 Mounting ring
 For flush mounting of luminaires with ceiling aperture $\varnothing 131$ mm.
 Polymer, white (RAL9002). Mounting for ceiling thicknesses of 12.5-25mm.
 The recess depth of the luminaire increases by 2mm.
 Weight 0.10kg

