



Luminaire for NoA & Most 3-phase Tracks
Svietidlo na montáž do 3-fázových líšt NoA a kompatibilných

GA-STANDARD PW HE

PREMIUM WHITE HIGH EFFICIENCY



LED Design • Made in Finland



120 - 141 lm/W

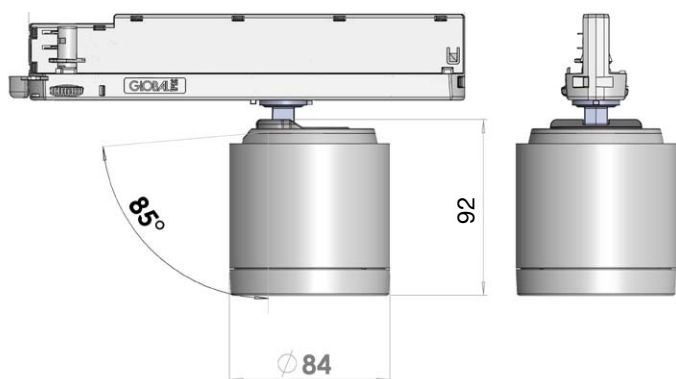
GA-STANDARD PW HE

Input Voltage	LED-Module	Color Consistency	Installation Type	Material	Lumen Maintenance	Beam Angles	Luminaire Color
Vstupné napätie	LED modul	Farebná konzistencia	Spôsob montáže	Materiál	Stredná doba životnosti	Uhol vyžarovania	Farba svetidla
220 – 240 V	Philips 1208 930 PW HE Philips 1208 940 PW HE	2-Step MacAdam	NoA & Most 3-phase Tracks Lišty NoA a kompatibilné	Powder Painted Die-Cast Aluminum Hliník, prášková farba	50 000 h @ T _a =35 °C L80 B10	2D 15° S 30° FL 50° WFL 20° NFL 3D 24° 3d NFL3d 36° 3d MFL3d 55° 3d WFL 3d	White (RAL 9016) Black (RAL 9005) Silver (RAL 9006) Biela (RAL 9016) Čierna (RAL 9005) Strieborná (RAL 9006)

Forward Current Napájací prúd	COB Type Typ LED čipu	Total System / Svetidlo			Adapter Driver Predradník	I _{out} [mA]	V _{out} [V]	P _{out} (I _{out}) [W (mA)]
		Luminous Flux Svetelný tok	Power Príkon	Efficacy Merný výkon				
mA	–	Lm	W	lm/W				
350	1208 930 PW HE	1.802	13,4	134	GA031 S	350	30-40	8 (200), 10 (250), 12 (300), 14 (350)
350	1208 940 PW HE	1.895	13,4	141	GA031 S	350	30-40	8 (200), 10 (250), 12 (300), 14 (350)
500	1208 930 PW HE	2.532	19,1	132	GA032 S	500	30-40	20 (500), 22 (550), 24 (600), 16 (650)
500	1208 940 PW HE	2.669	19,1	139	GA032 S	500	30-40	20 (500), 22 (550), 24 (600), 16 (650)
650	1208 930 PW HE	3.228	24,4	132	GA032 S	650	30-40	20 (500), 22 (550), 24 (600), 16 (650)
650	1208 940 PW HE	3.411	24,4	139	GA032 S	650	30-40	20 (500), 22 (550), 24 (600), 16 (650)
700	1208 930 PW HE	3.305	27,5	120	GA033 S	700	30-40	28 (700), 30 (750), 32 (800), 34 (850)
700	1208 940 PW HE	3.500	27,5	127	GA033 S	700	30-40	28 (700), 30 (750), 32 (800), 34 (850)
800	1208 930 PW HE	3.730	31,1	120	GA033 S	800	30-40	28 (700), 30 (750), 32 (800), 34 (850)
800	1208 940 PW HE	3.950	31,1	127	GA033 S	800	30-40	28 (700), 30 (750), 32 (800), 34 (850)
850	1208 930 PW HE	4.023	32,0	125	GA033 S	850	30-40	Signify driver
850	1208 940 PW HE	4.264	32,0	133	GA033 S	850	30-40	Signify driver

■ stock item, white color / skladová položka, biela farba
□ stock item, black color / skladová položka, čierna farba

Technical Dimensions / Technické rozmery:



GA031 S, GA032 S, GA033 S, GA034 S

